

6

5

4

3

2

1



D

D

C

C

B

B

A

A



6

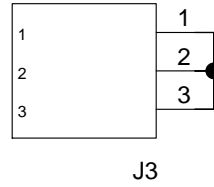
5

4

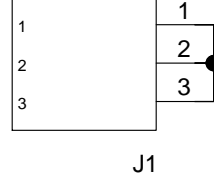
3

2

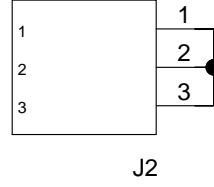
1



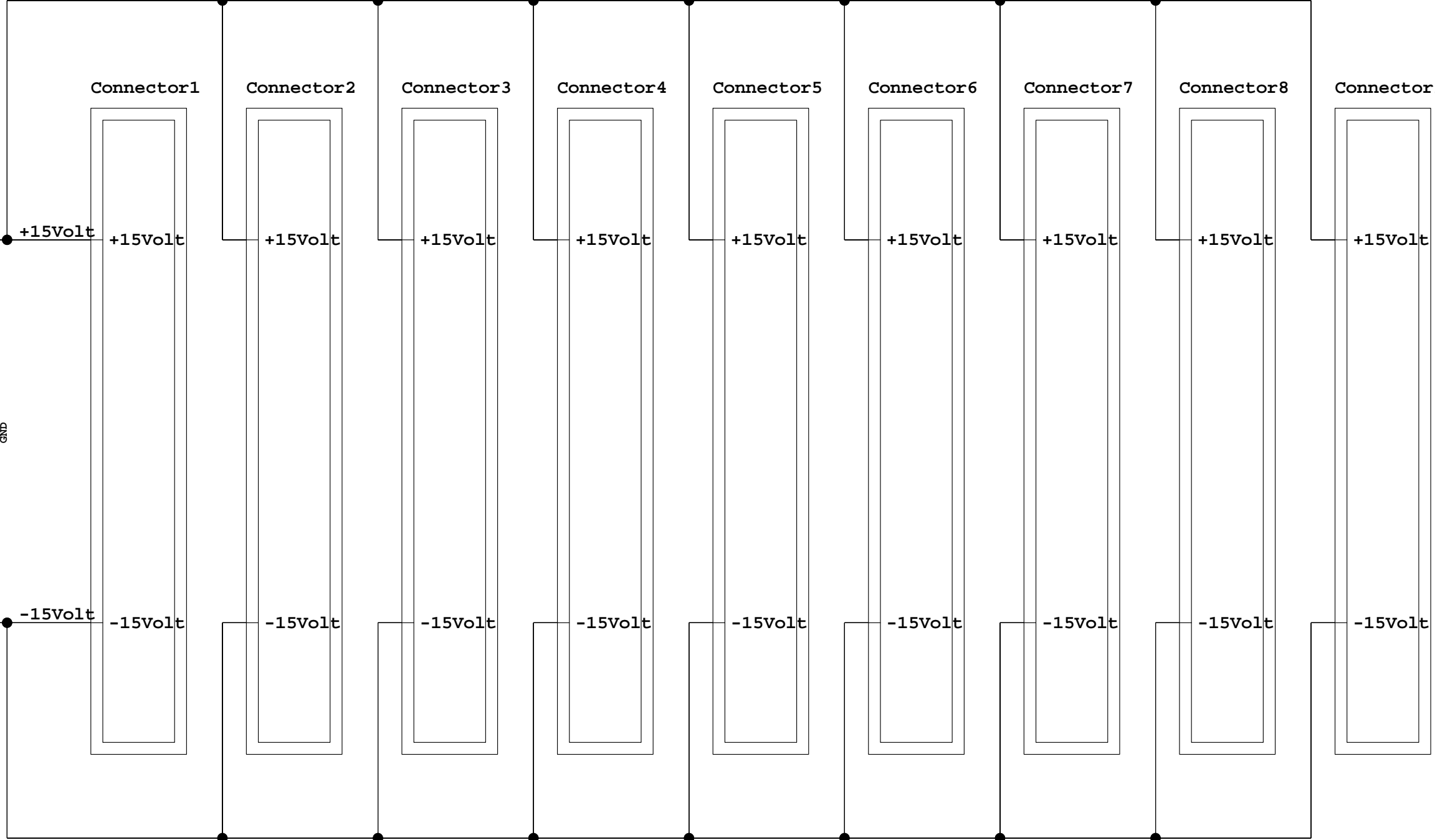
J3



J1




J2



vrije Universiteit amsterdam
Elektronica Beta VU

? Projectname :	back plane
? Projectnumber :	Schematic1
? Designer :	--/--/--
? Schematic :	11/09/2013:14:15
? Pcb :	1 of 1



A3

6

5

4

3

2

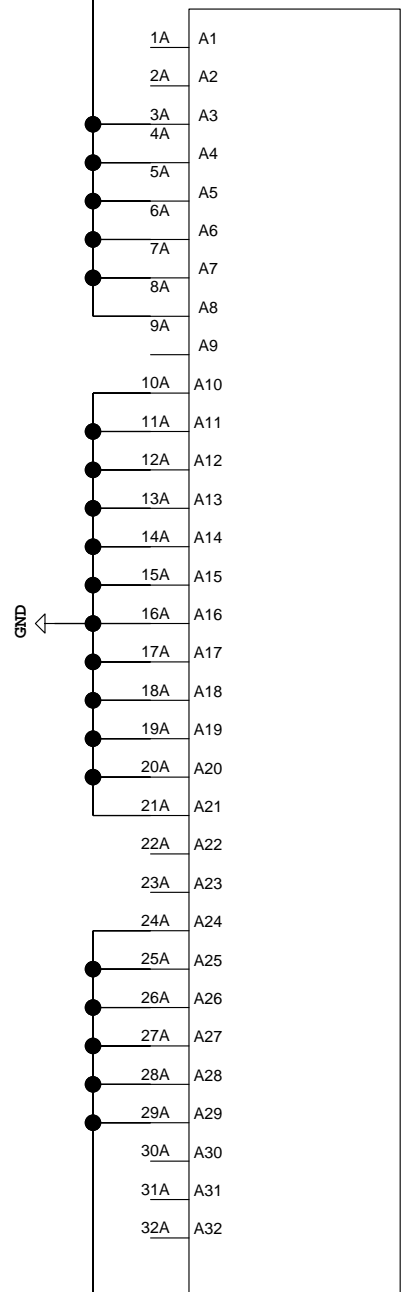
1

+15Volt

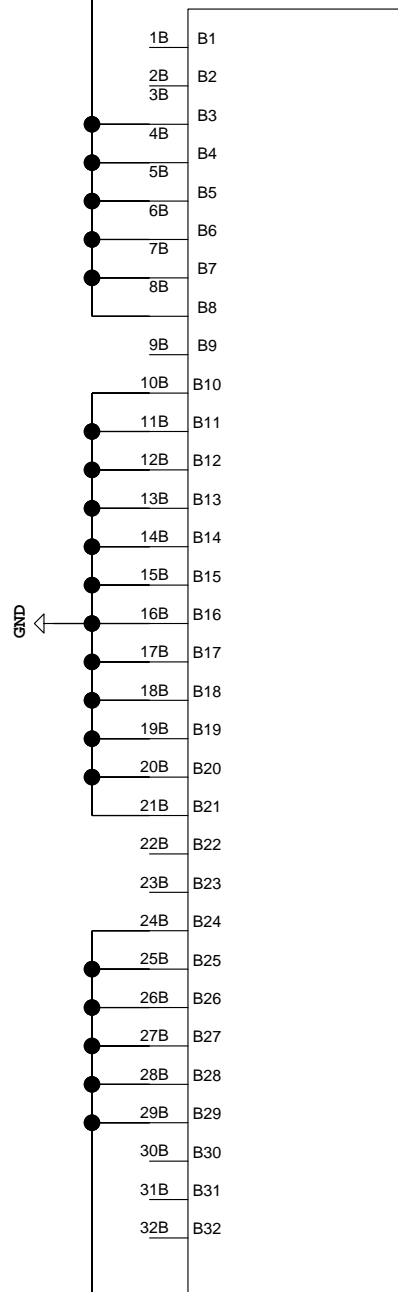
+15V

-15Volt

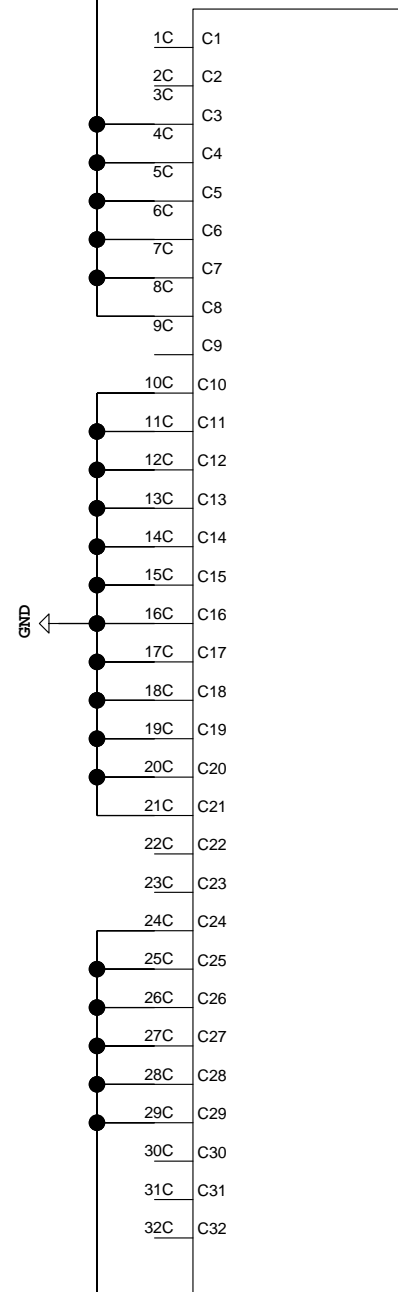
-15V



J4



J5



J4

vrije Universiteit amsterdam
Elektronica Beta VU

Projectname :	10kHz-Exciter
Projectnumber :	Pagename :
Designer :	Start : --/--/--
Schematic :	11/09/2013:12:31
Pcb :	1 of 2



A3

6

5

4

3

2

1

6

5

4

3

2

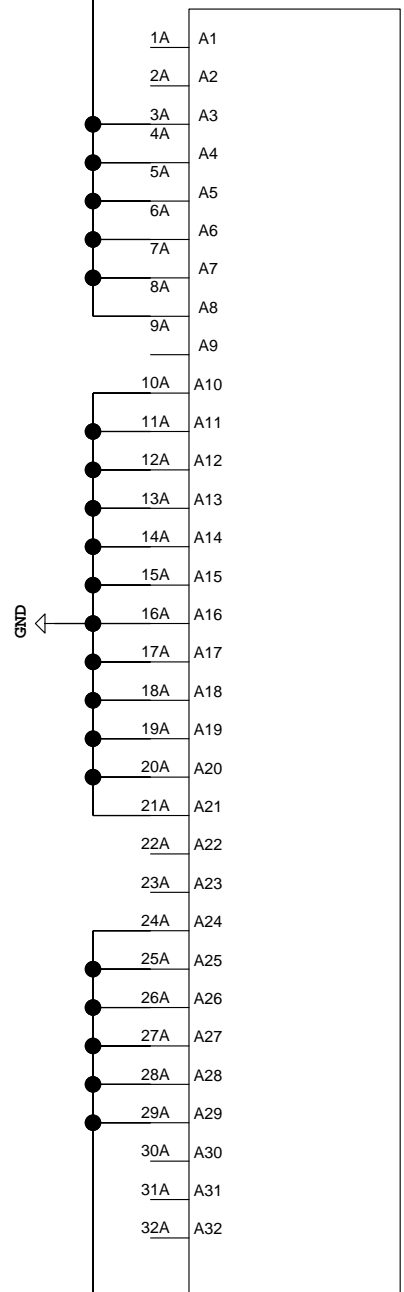
1

+15V

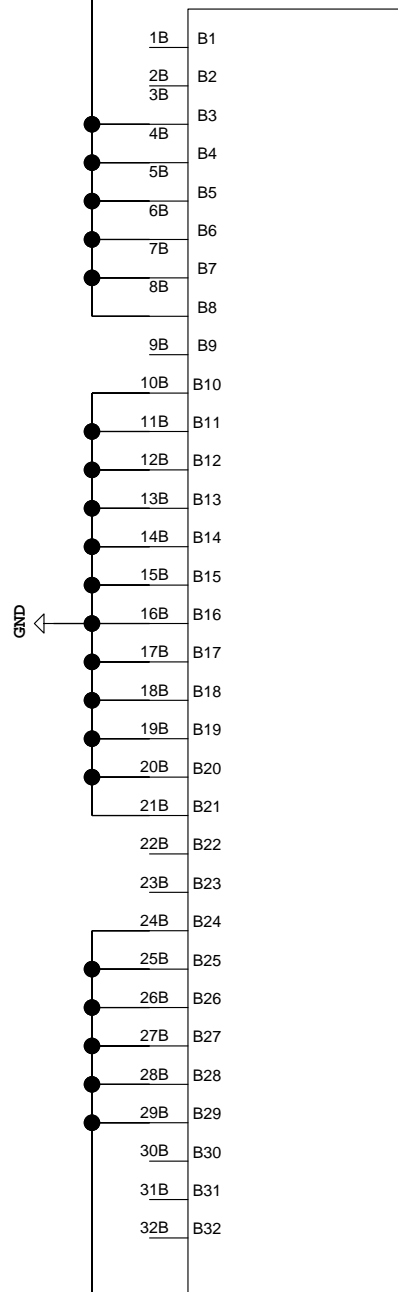
+15V

-15V

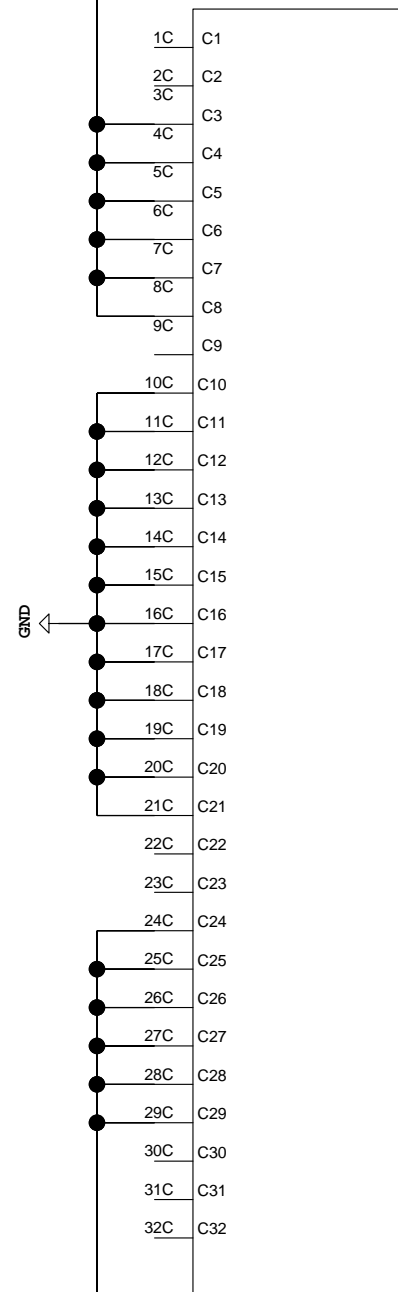
-15V



J5



J4



J8

vrije Universiteit amsterdam
Elektronica Beta VU

Projectname :	10kHz-Exciter
Projectnumber :	Page: --/--
Designer :	Start: --/--
Schematic :	11/09/2013:12:31
Pcb :	1 of 1



A3

6

5

4

3

2

1

6

5

4

3

2

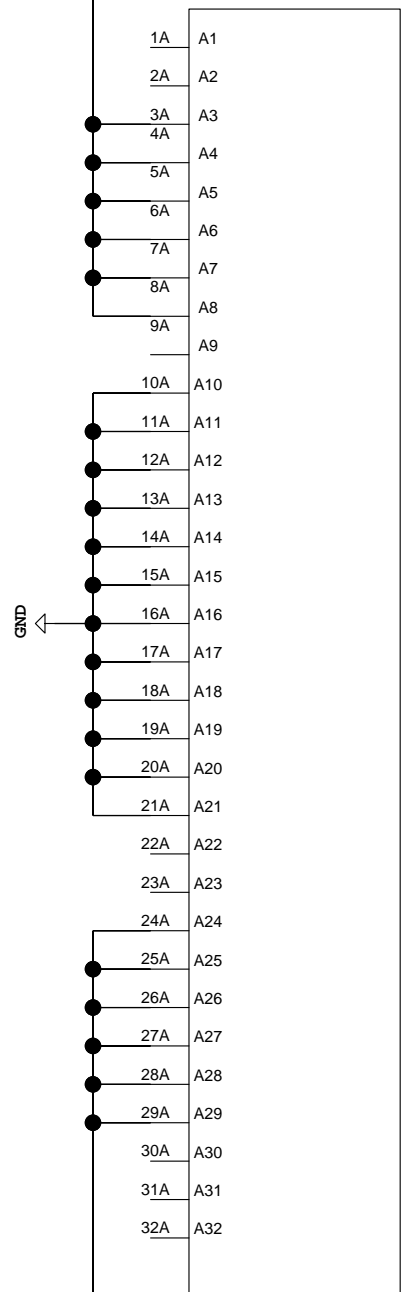
1

+15V

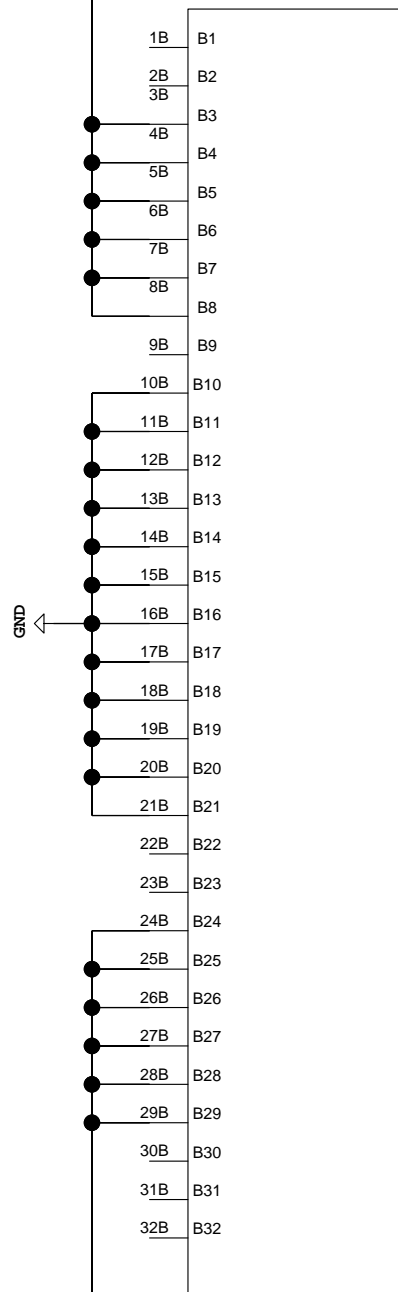
+15V

-15V

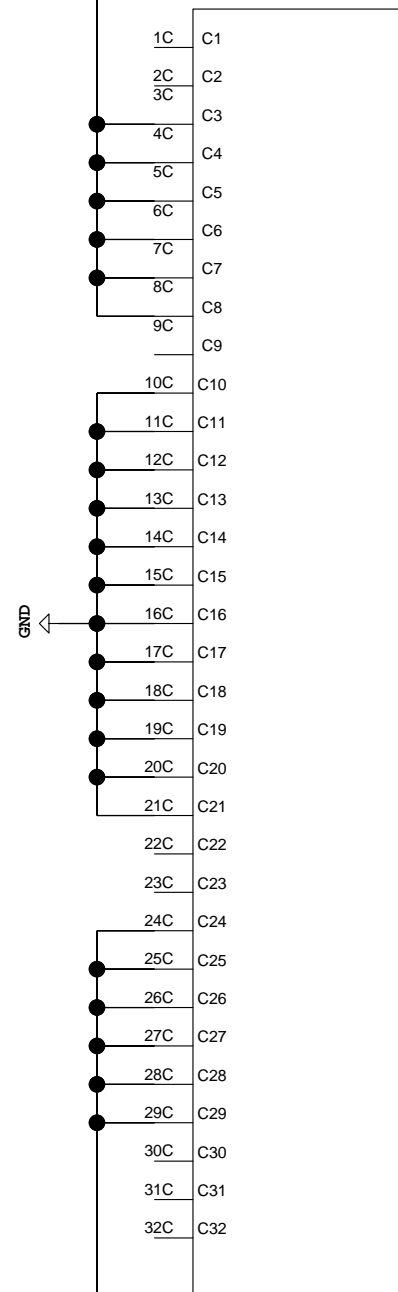
-15V



J6



J8



J6

vrije Universiteit amsterdam
Elektronica Beta VU

Projectname :	10kHz-Exciter
Projectnumber :	Pagename :
Designer :	Start: --/--
Schematic :	11/09/2013:12:31
Pcb :	1 of 1



A3

6

5

4

3

2

1

6

5

4

3

2

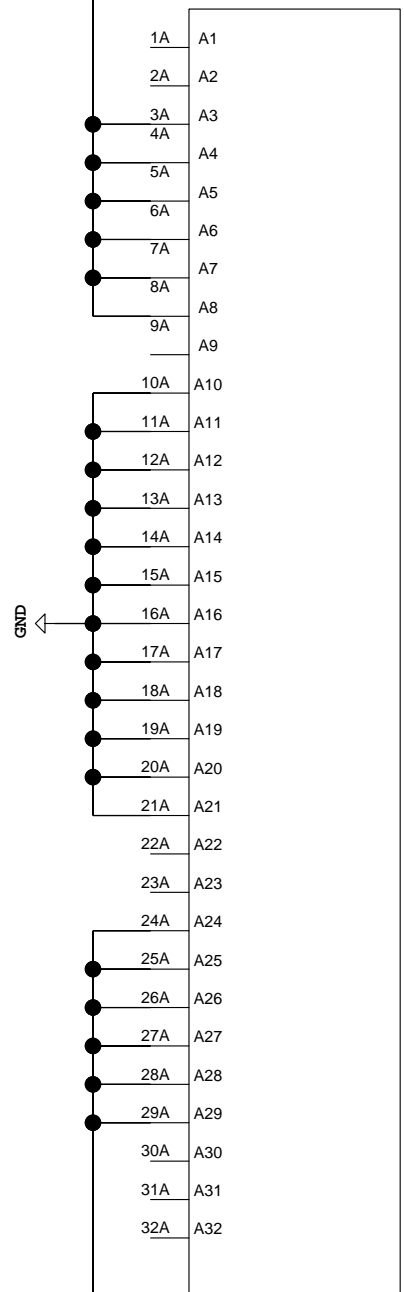
1

+15V

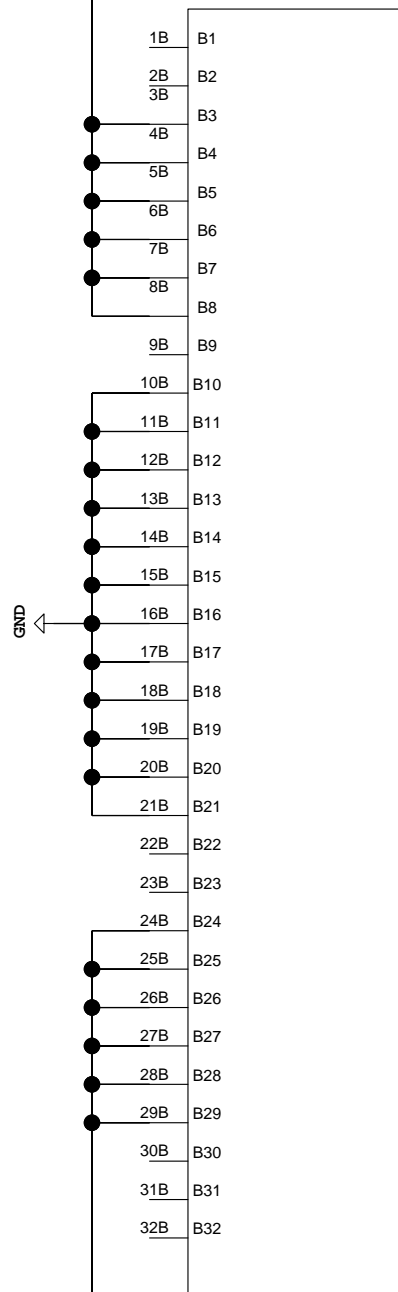
+15V

-15V

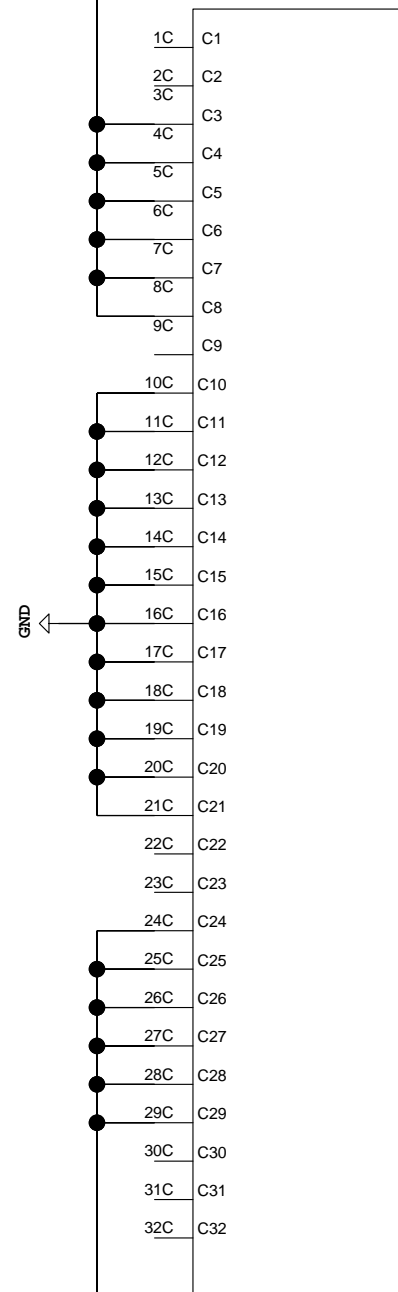
-15V



J7



J7



J7

vrije Universiteit amsterdam
Elektronica Beta VU

Projectname :	10kHz-Exciter
Projectnumber :	Pagename :
Designer :	--/--/--
Schematic :	11/09/2013:12:31
Pcb :	1 of 1



A3

6

5

4

3

2

1

6

5

4

3

2

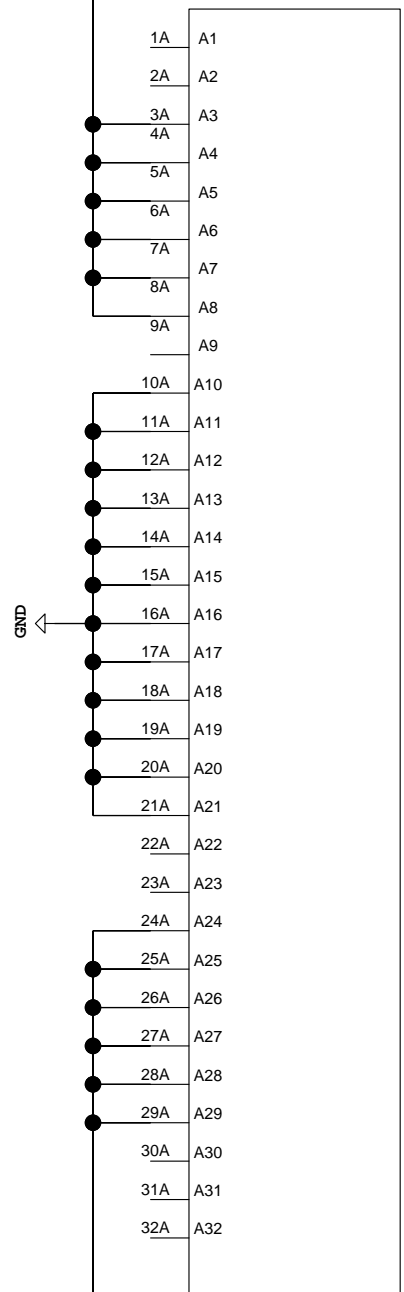
1

+15V

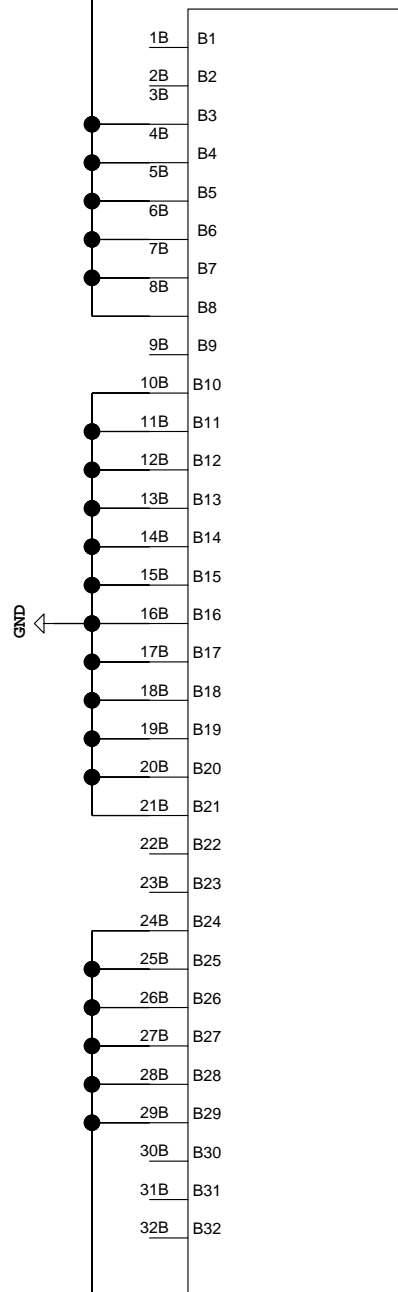
+15V

-15V

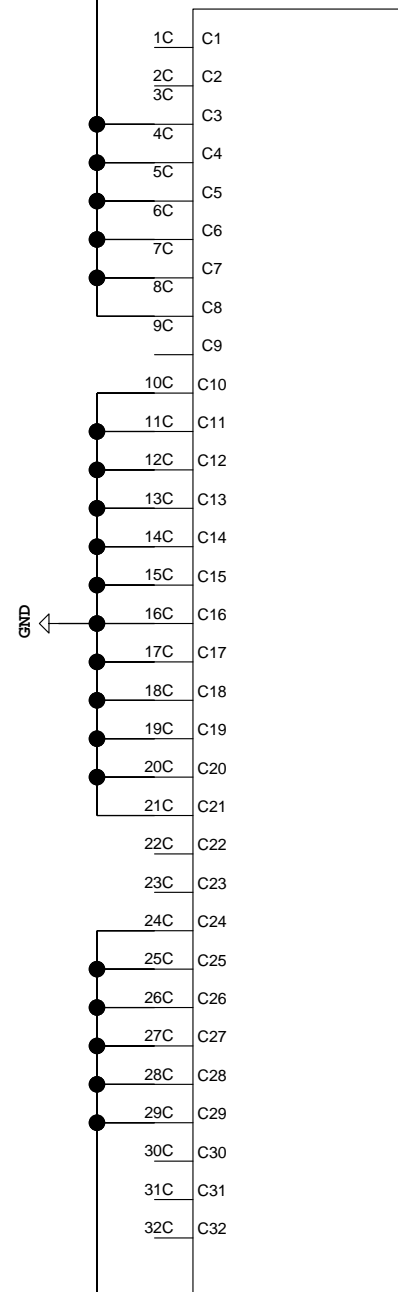
-15V



J8



J10



J5

vrije Universiteit amsterdam
Elektronica Beta VU

Projectname :	10kHz-Exciter
Projectnumber :	Pagename :
Designer :	Start: --/--
Schematic :	11/09/2013:12:31
Pcb :	1 of 1



A3

6

5

4

3

2

1

6

5

4

3

2

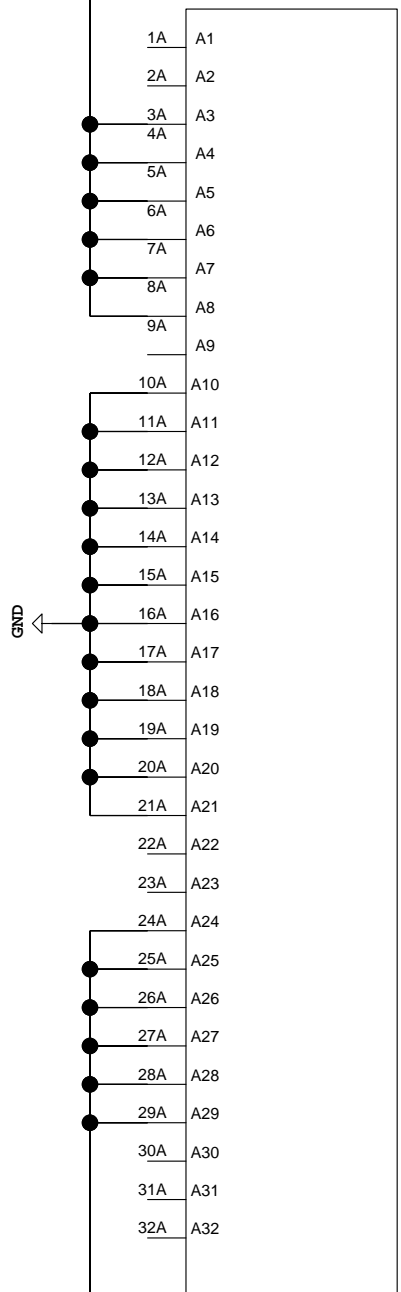
1

+15V

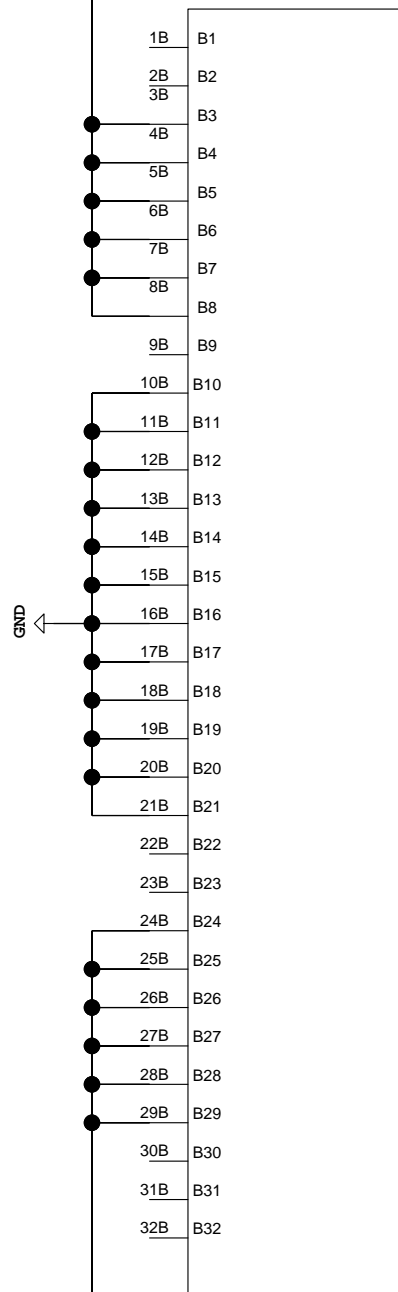
+15V

-15V

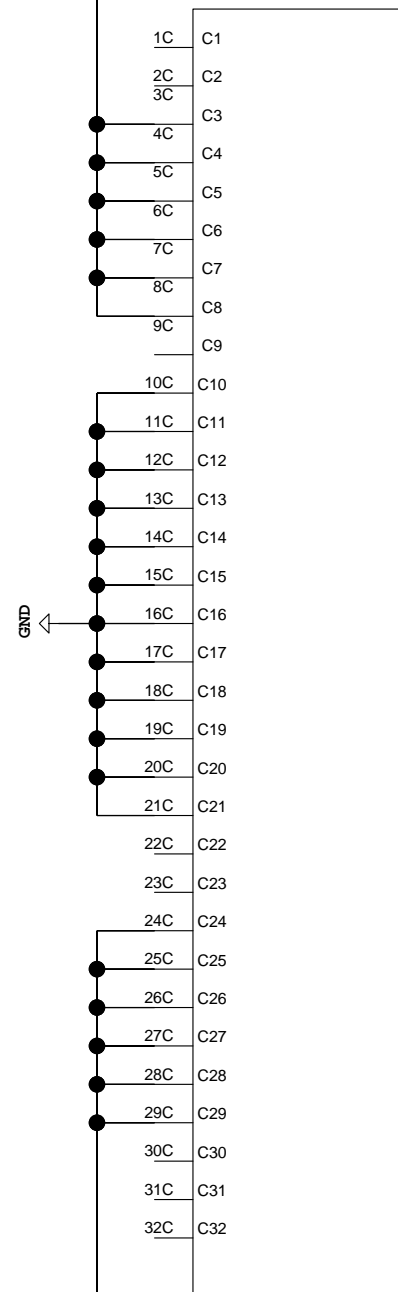
-15V



J9



J9



J10

vrije Universiteit amsterdam
Elektronica Beta VU

Projectname :	10kHz-Exciter
Projectnumber :	Pagename :
Designer :	Start: --/--
Schematic :	11/09/2013:12:31
Pcb :	1 of 1



A3

6

5

4

3

2

1

6

5

4

3

2

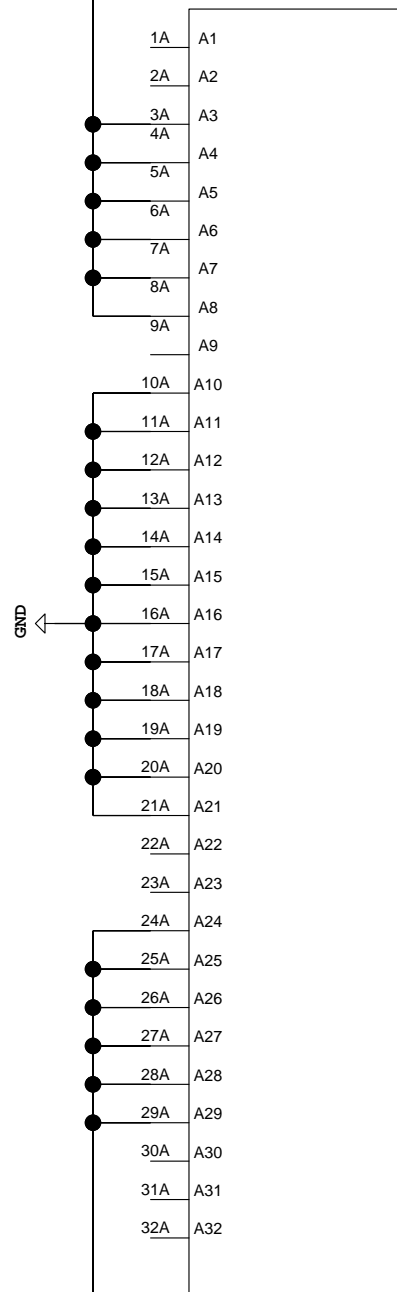
1

+15V

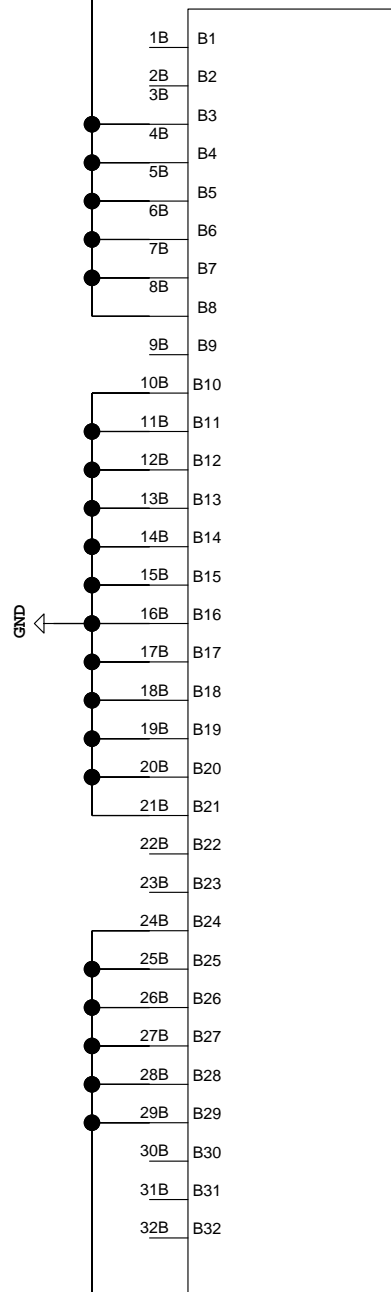
+15V

-15V

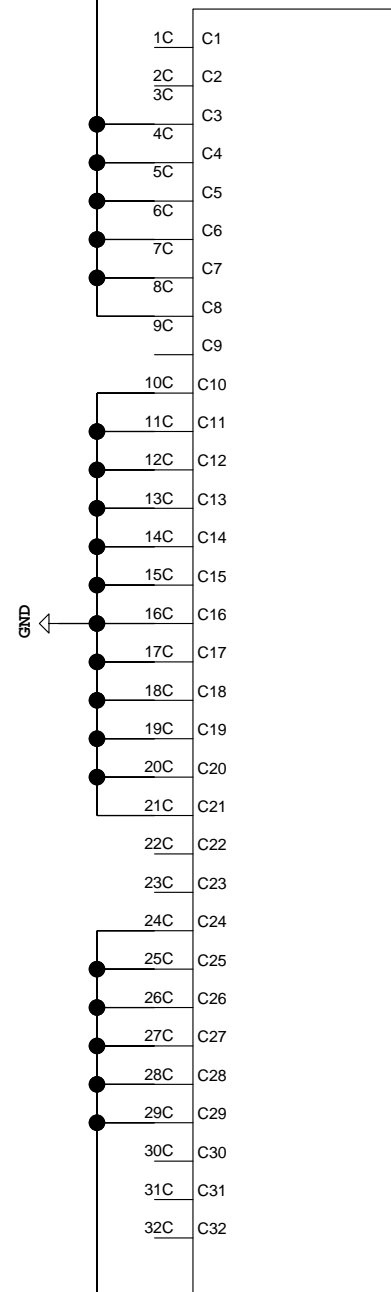
-15V



J10



J6



J9

vrije Universiteit amsterdam
Elektronica Beta VU

Projectname :	10kHz-Exciter
Projectnumber :	Pagename :
Designer :	Start : --/--
Schematic :	11/09/2013:12:31
Pcb :	1 of 1

A3

6

5

4

3

2

1

6

5

4

3

2

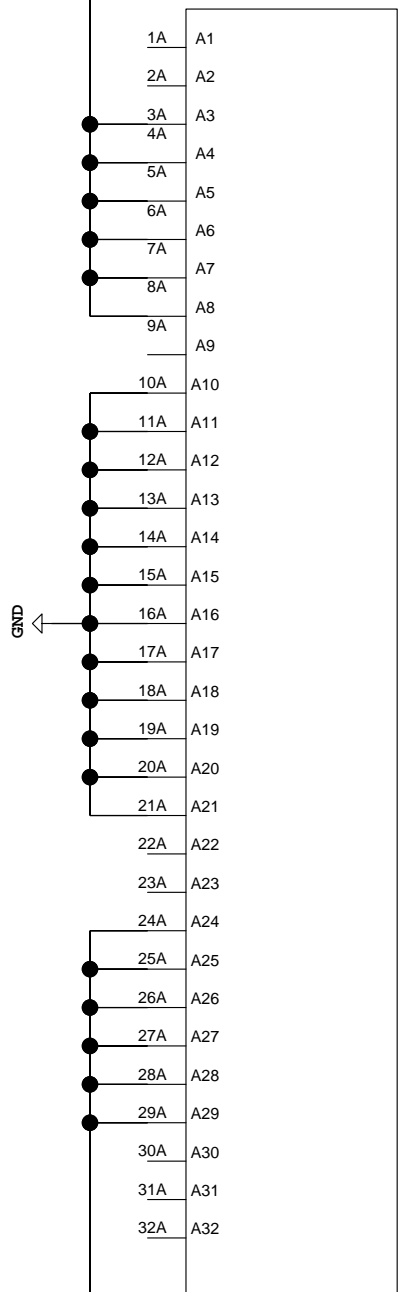
1

+15V

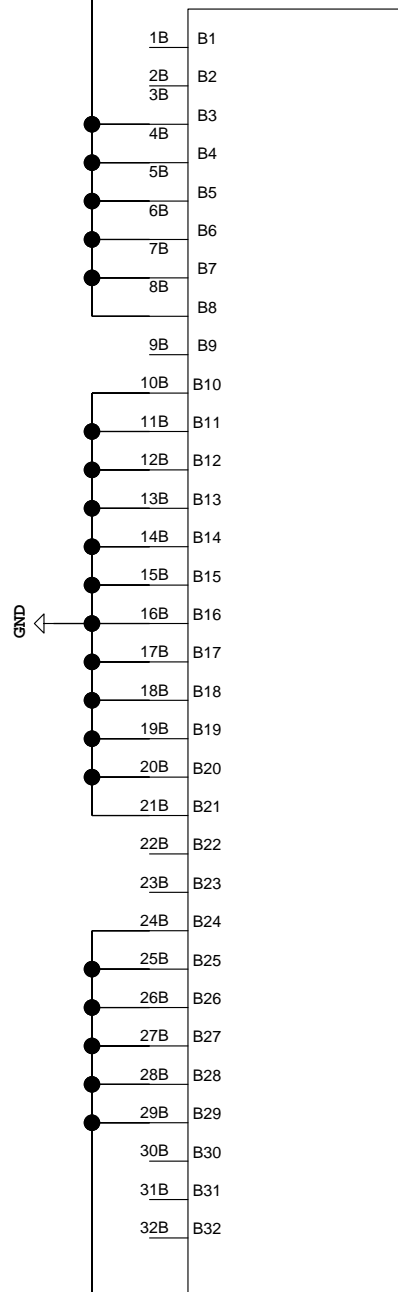
+15V

-15V

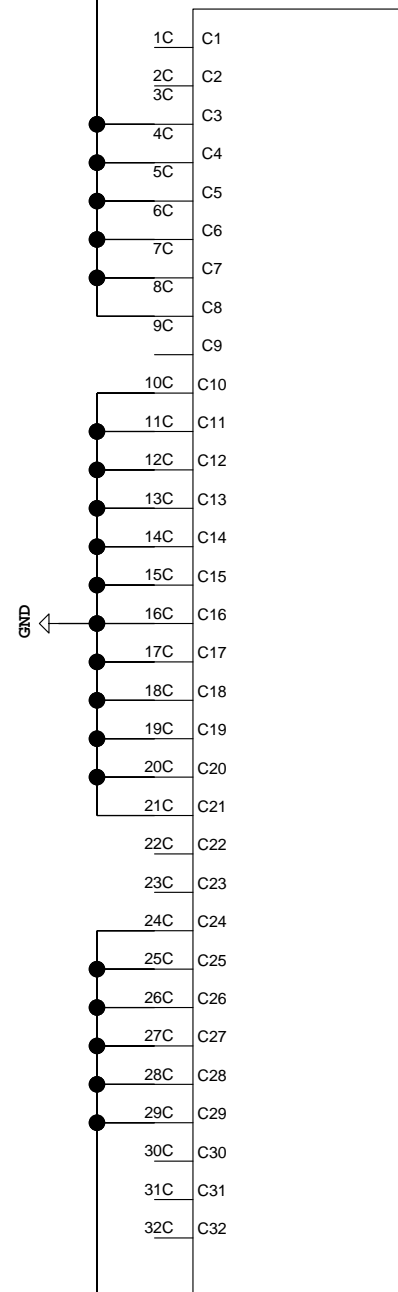
-15V



J11



J12



J12

vrije Universiteit amsterdam
Elektronica Beta VU

Projectname :	10kHz-Exciter
Projectnumber :	Pagename :
Designer :	Start : --/--
Schematic :	11/09/2013:12:31
Pcb :	1 of 1

A3

6

5

4

3

2

1

6

5

4

3

2

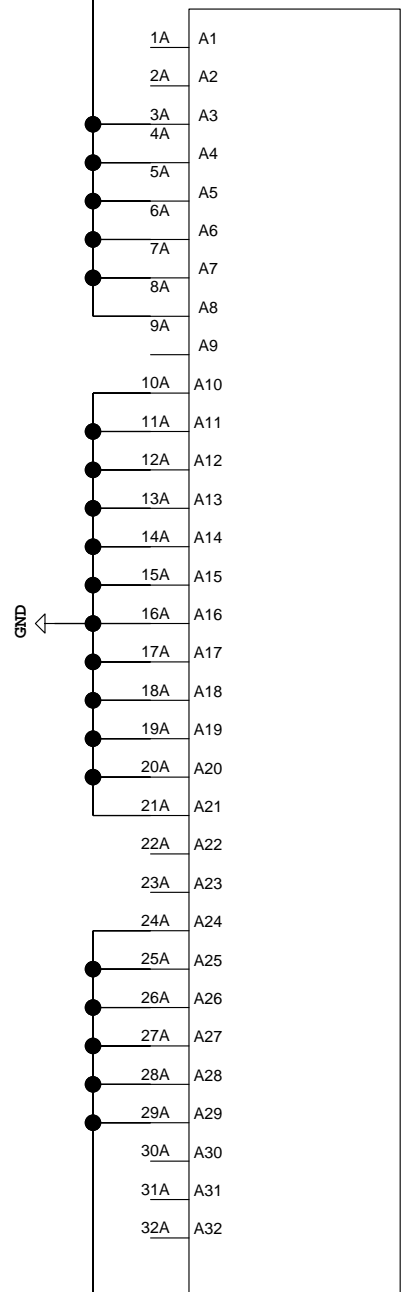
1

+15V

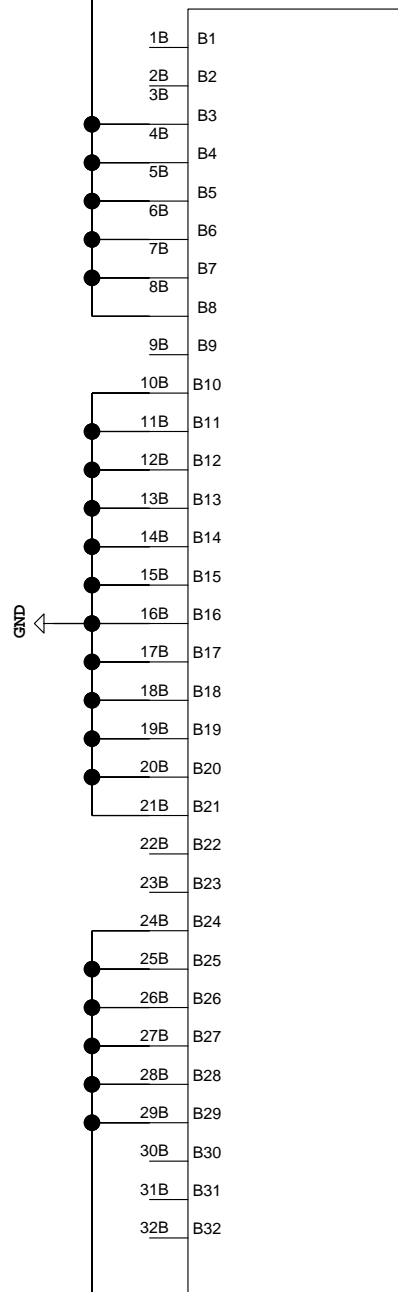
+15V

-15V

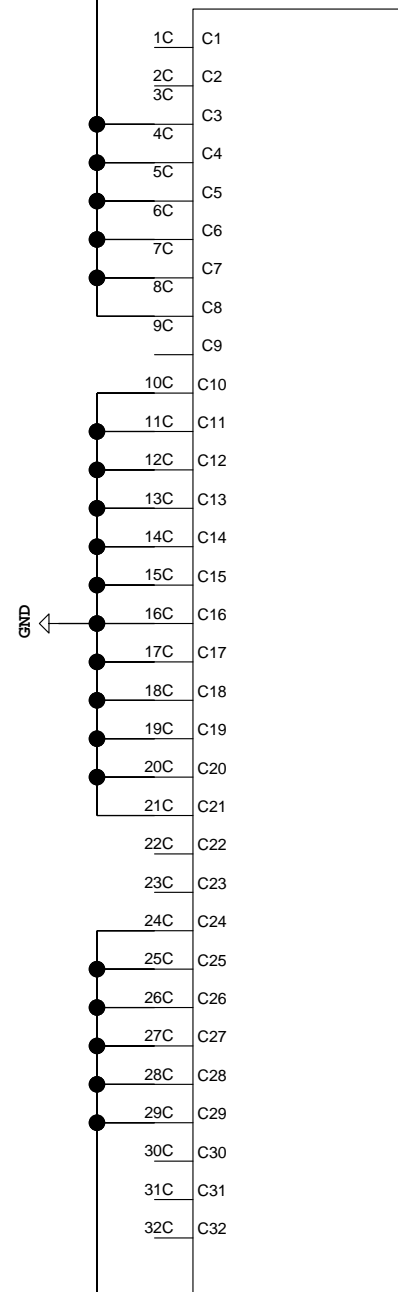
-15V



J12



J11



J11

vrije Universiteit amsterdam
Elektronica Beta VU

Projectname :	10kHz-Exciter
Projectnumber :	Pagename :
Designer :	Start : --/--
Schematic :	11/09/2013:12:31
Pcb :	1 of 1



A3

6

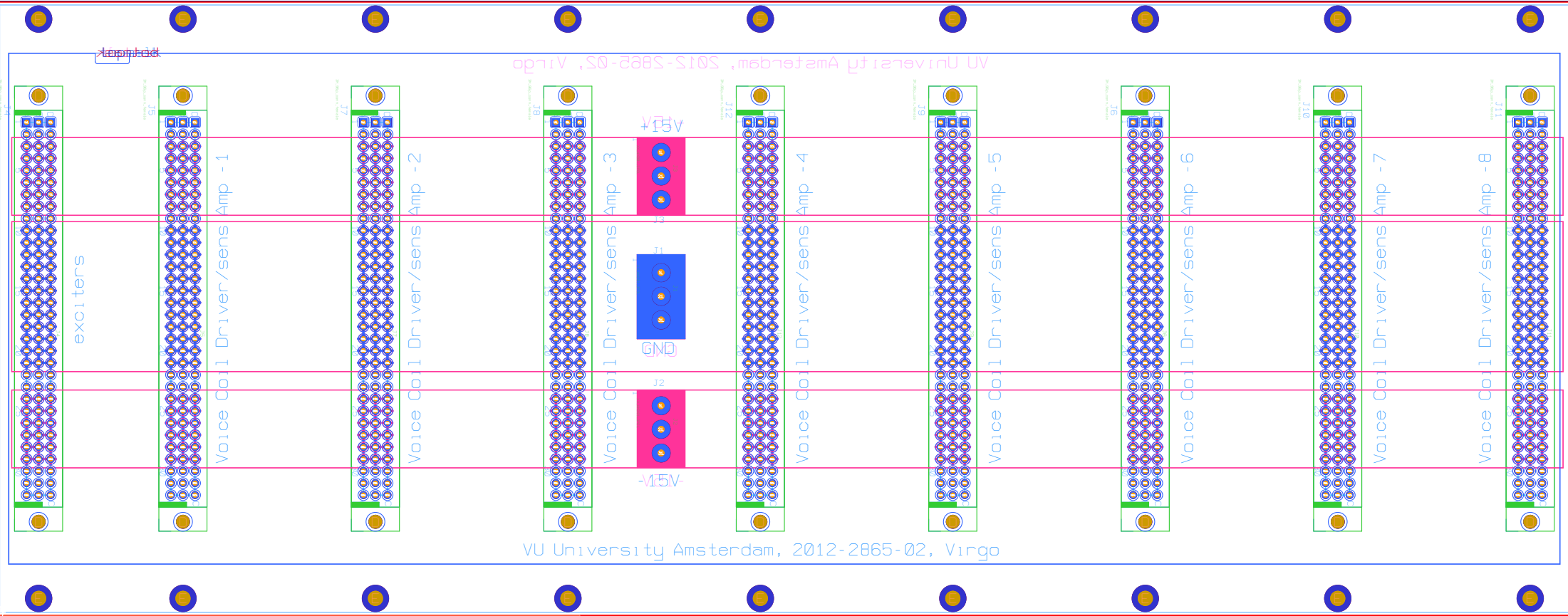
5

4

3

2

1

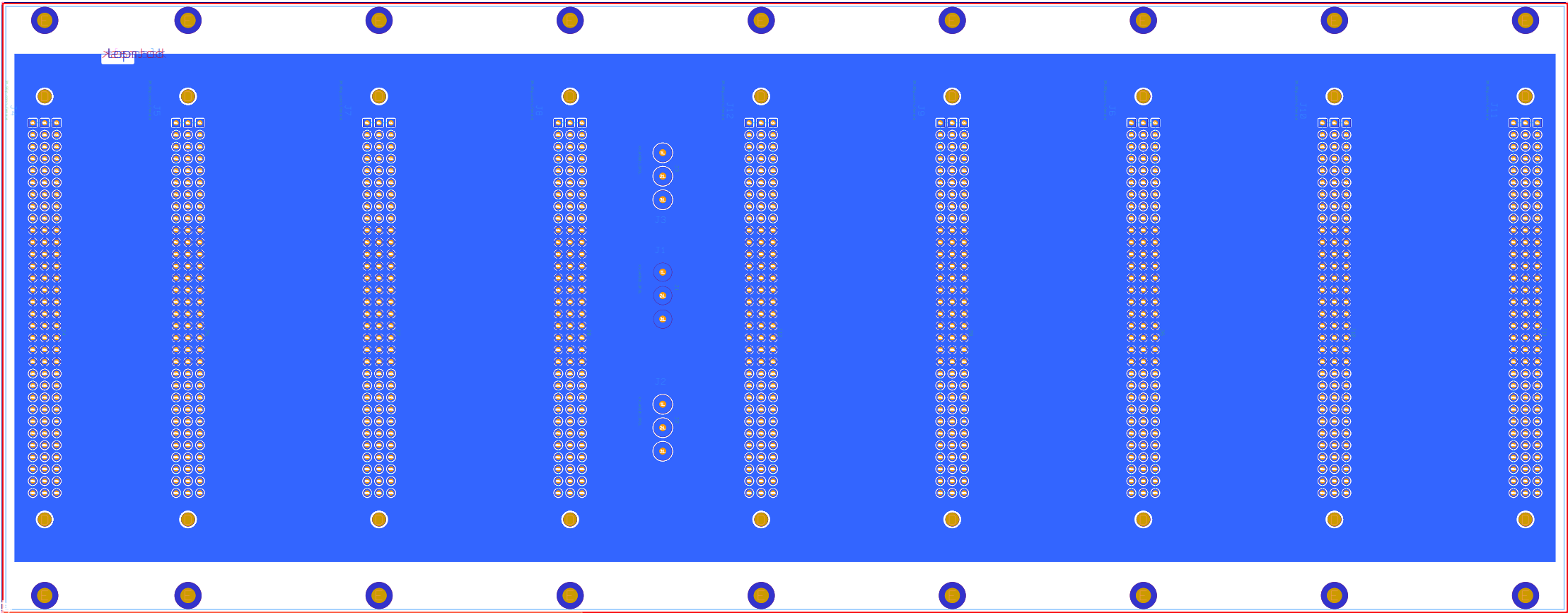


VU University Amsterdam, 2012-2865-02, Virgo

VU University Amsterdam, 2012-2865-02, Virgo

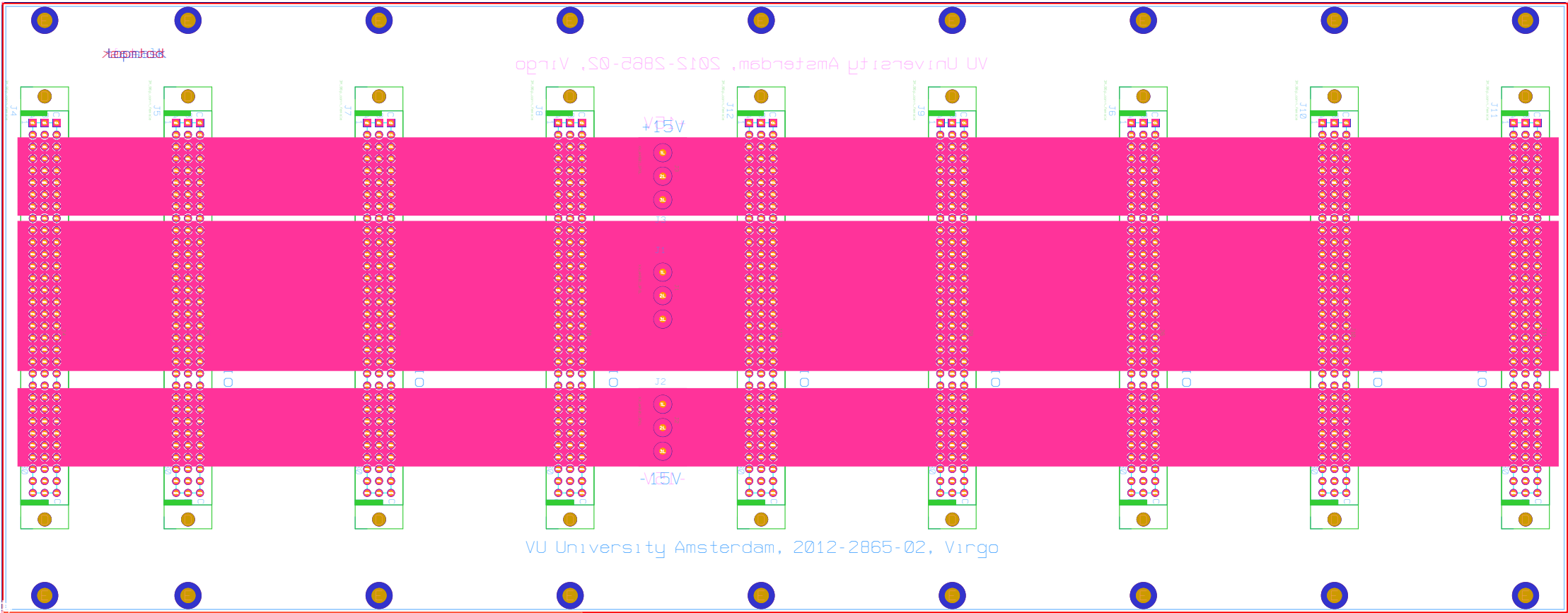
Through Holes

Symbol	Diameter	Tolerance	Plated	Punched	HoleName	Quantity
A	0.0350	+/- 0.0040	Yes	No	Drill 35	9
B	0.0420	+/- 0.0040	Yes	No	Drill 40	855
C	0.0550	+/- 0.0040	Yes	No	Drill 55	9
D	0.1100	+/- 0.0040	No	No	Drill 110 NP	18
E	0.1250	+/- 0.0040	No	No	Drill 125 NP	18



Through Holes

Symbol	Diameter	Tolerance	Plated	Punched	HoleName	Quantity
A	0.0350	+/- 0.0040	Yes	No	Drill 35	9
B	0.0400	+/- 0.0040	Yes	No	Drill 40	855
C	0.0550	+/- 0.0040	Yes	No	Drill 55	9
D	0.1100	+/- 0.0040	No	No	Drill 110 NP	18
E	0.1250	+/- 0.0040	No	No	Drill 125 NP	18



Through Holes

Symbol	Diameter	Tolerance	Plated	Punched	HoleName	Quantity
A	0.0350	+/- 0.0040	Yes	No	Drill 35	9
B	0.0420	+/- 0.0040	Yes	No	Drill 40	855
C	0.0550	+/- 0.0040	Yes	No	Drill 55	9
D	0.1100	+/- 0.0040	No	No	Drill 110 NP	18
E	0.1250	+/- 0.0040	No	No	Drill 125 NP	18



Power supply is the 75 SX 15 - 15

From

Delta Elektronika B.V.

Vissersdijk 4

4301 ND Zierikzee

Netherlands

<http://www.delta-elektronika.nl>