

Current mirror installation plan

Jérôme Degallaix and Gabriele Vajente

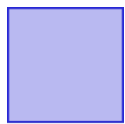


What you will see next...

Mirror installation plan month by month, taken from the last DIM meeting (notes: VIR-0354A-12, scenario 2 B from VIR-0352A-12)

- Suppose 3 months commissioning after mirror installation
- Not all activities are represented here
- Start from July 2014 with WI installation

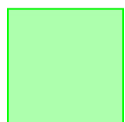
Color code:



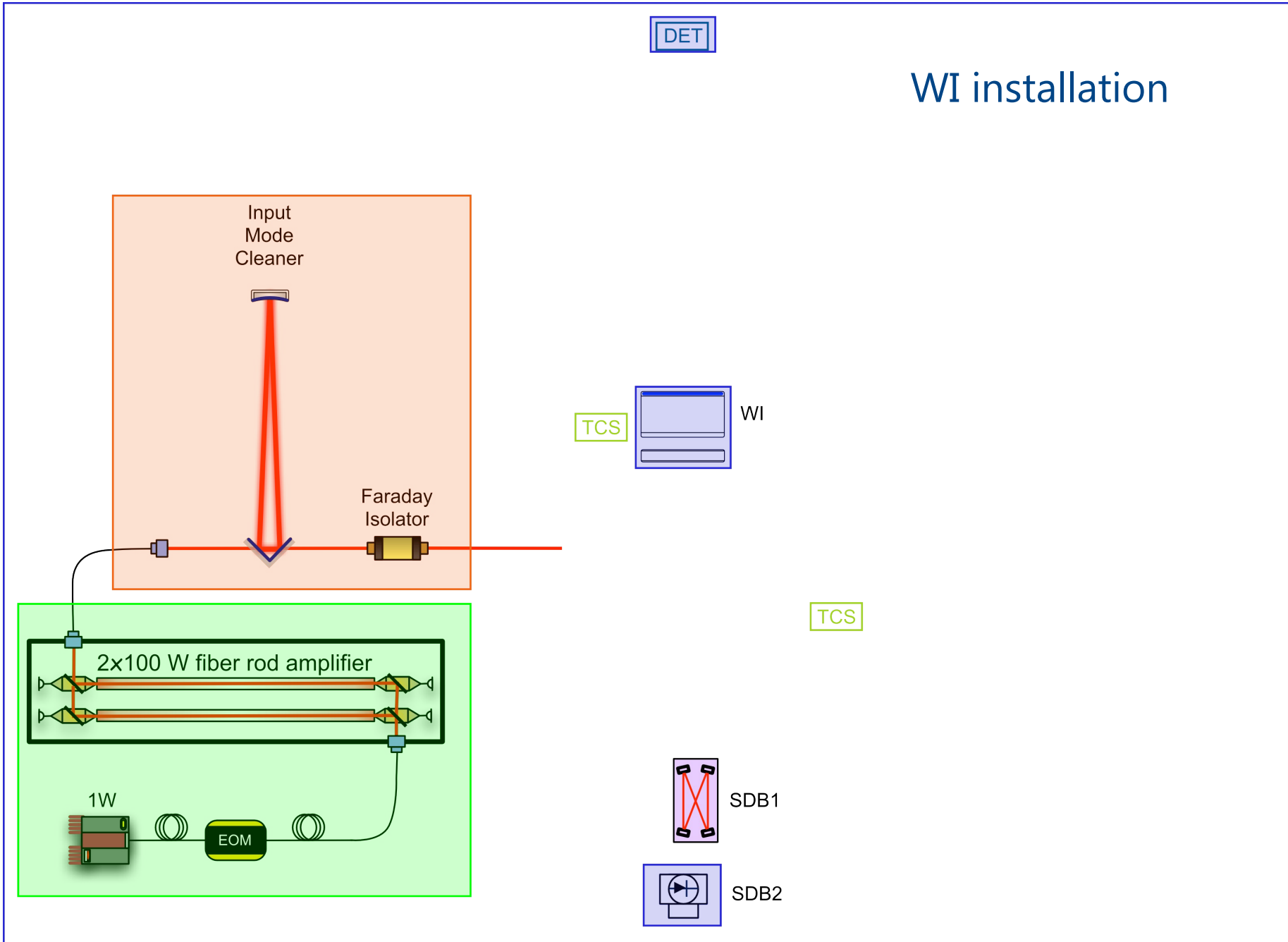
installation

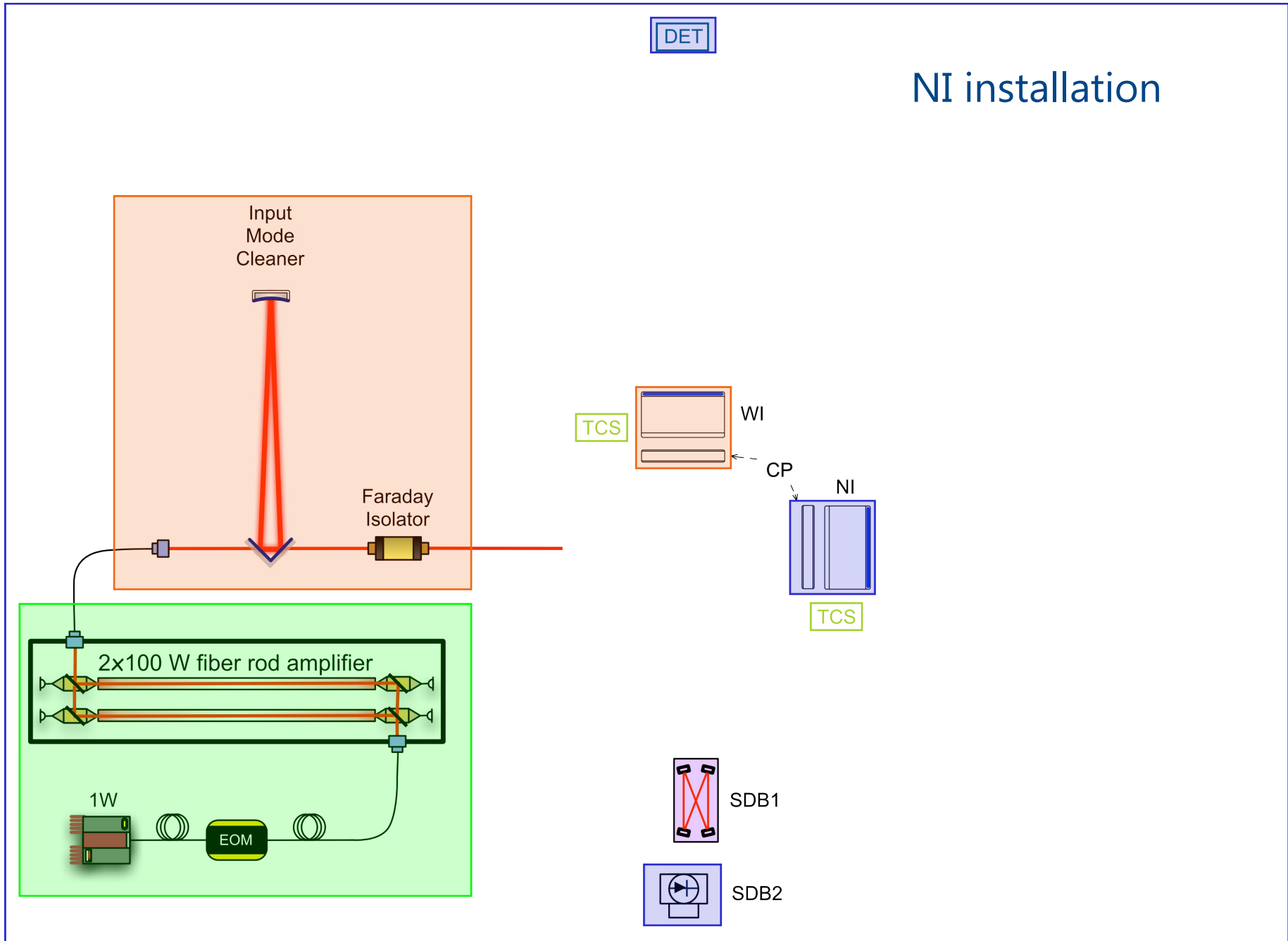


commissioning

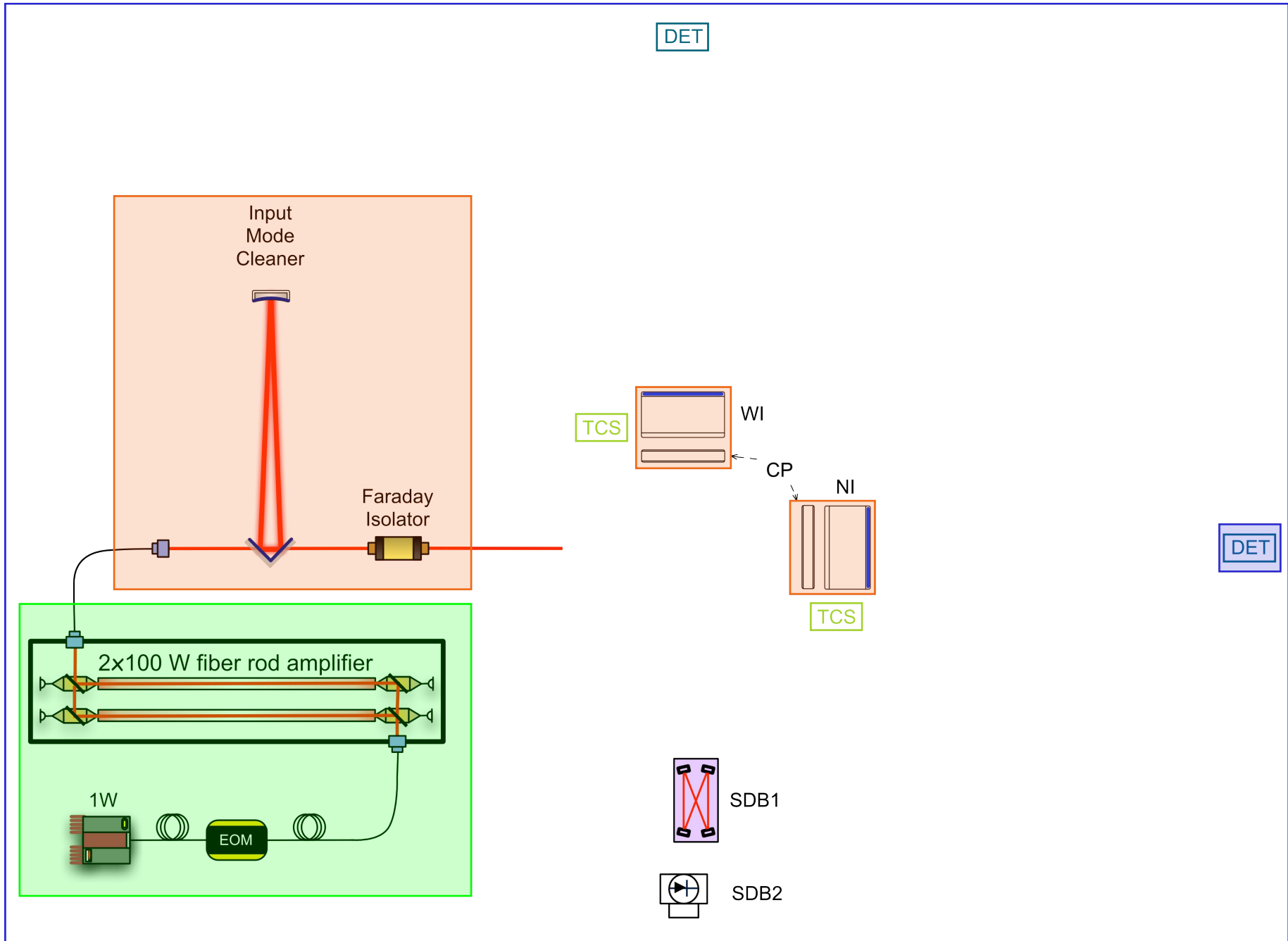


ready!

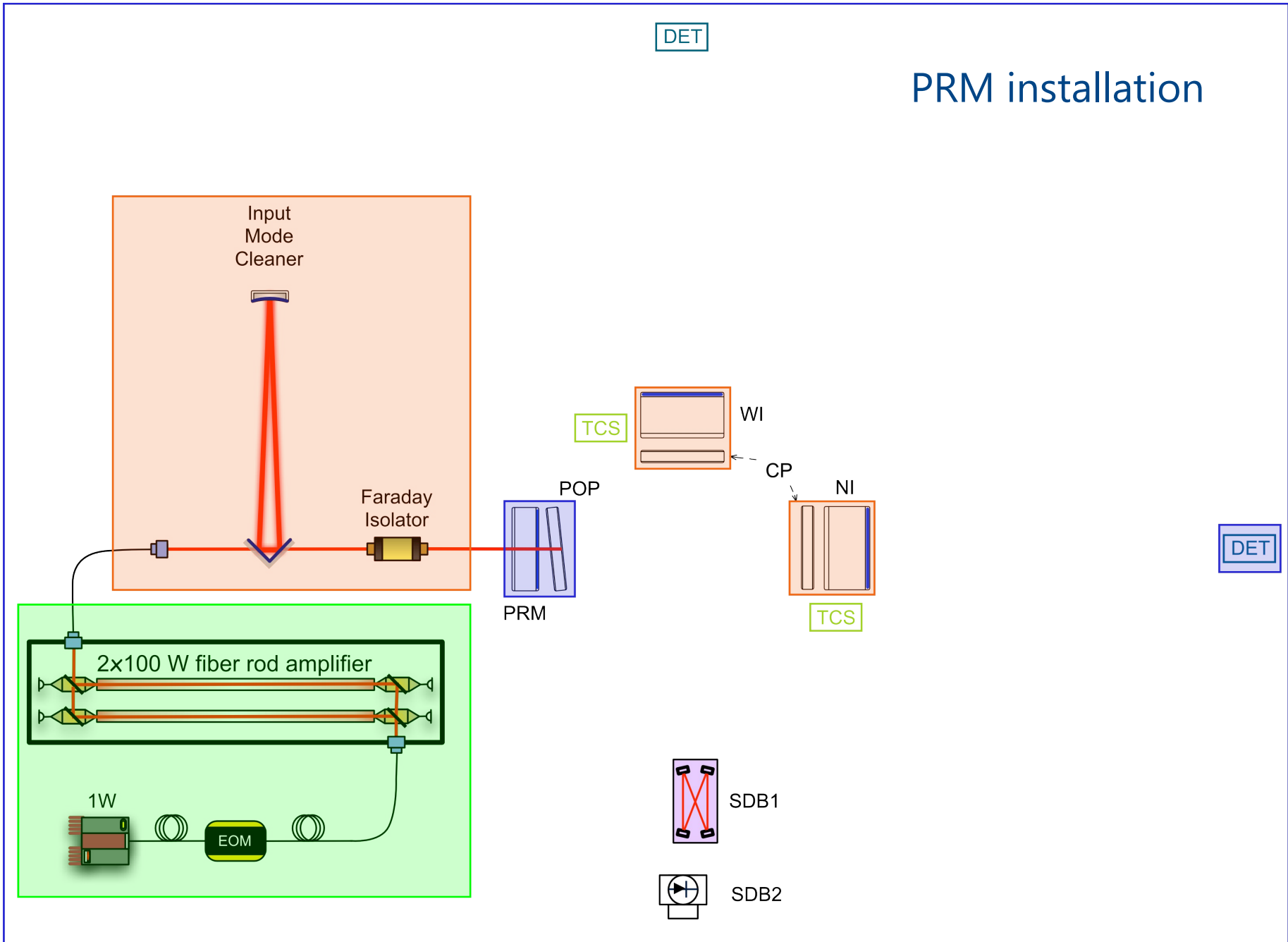




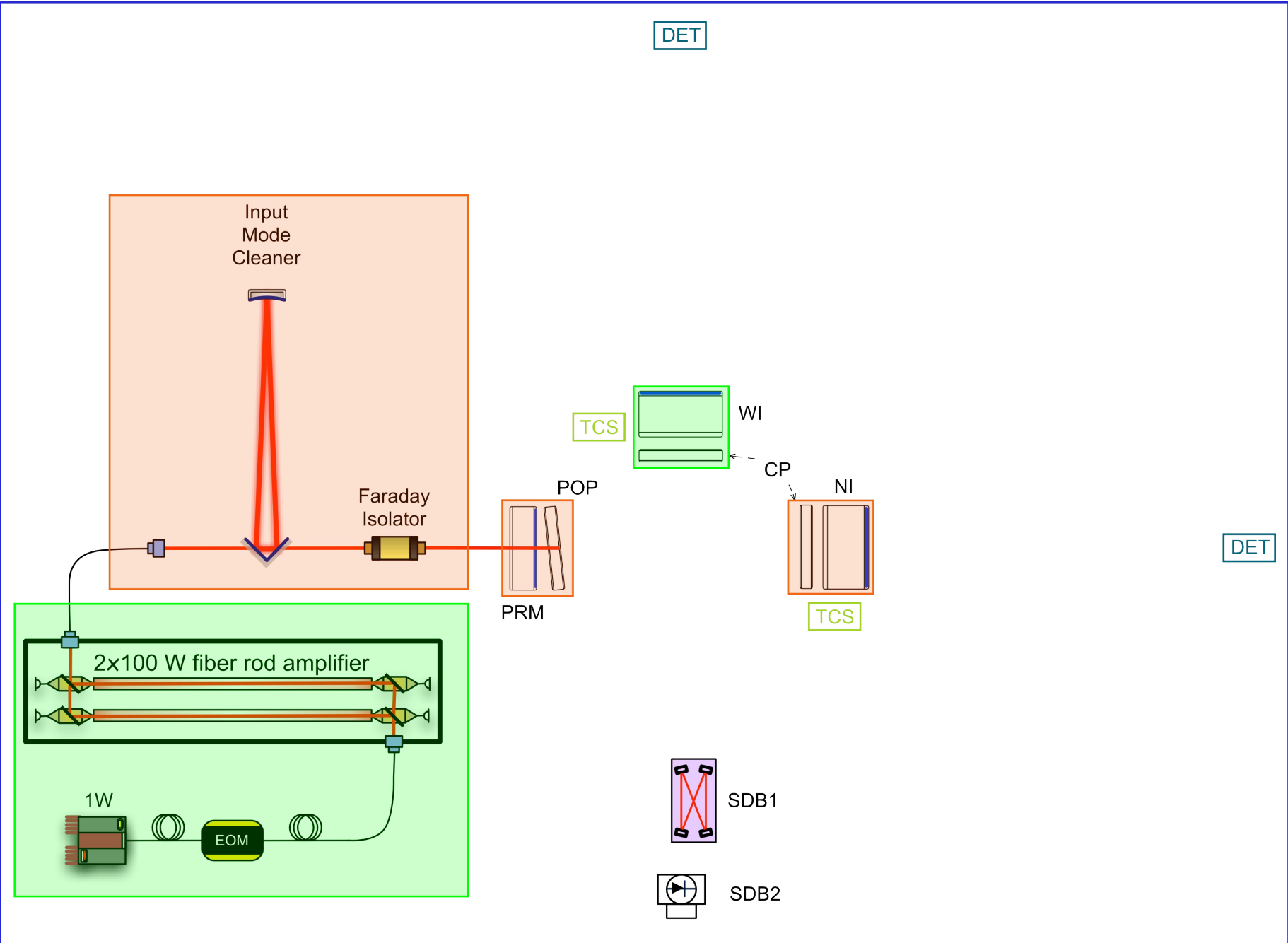
September 2014



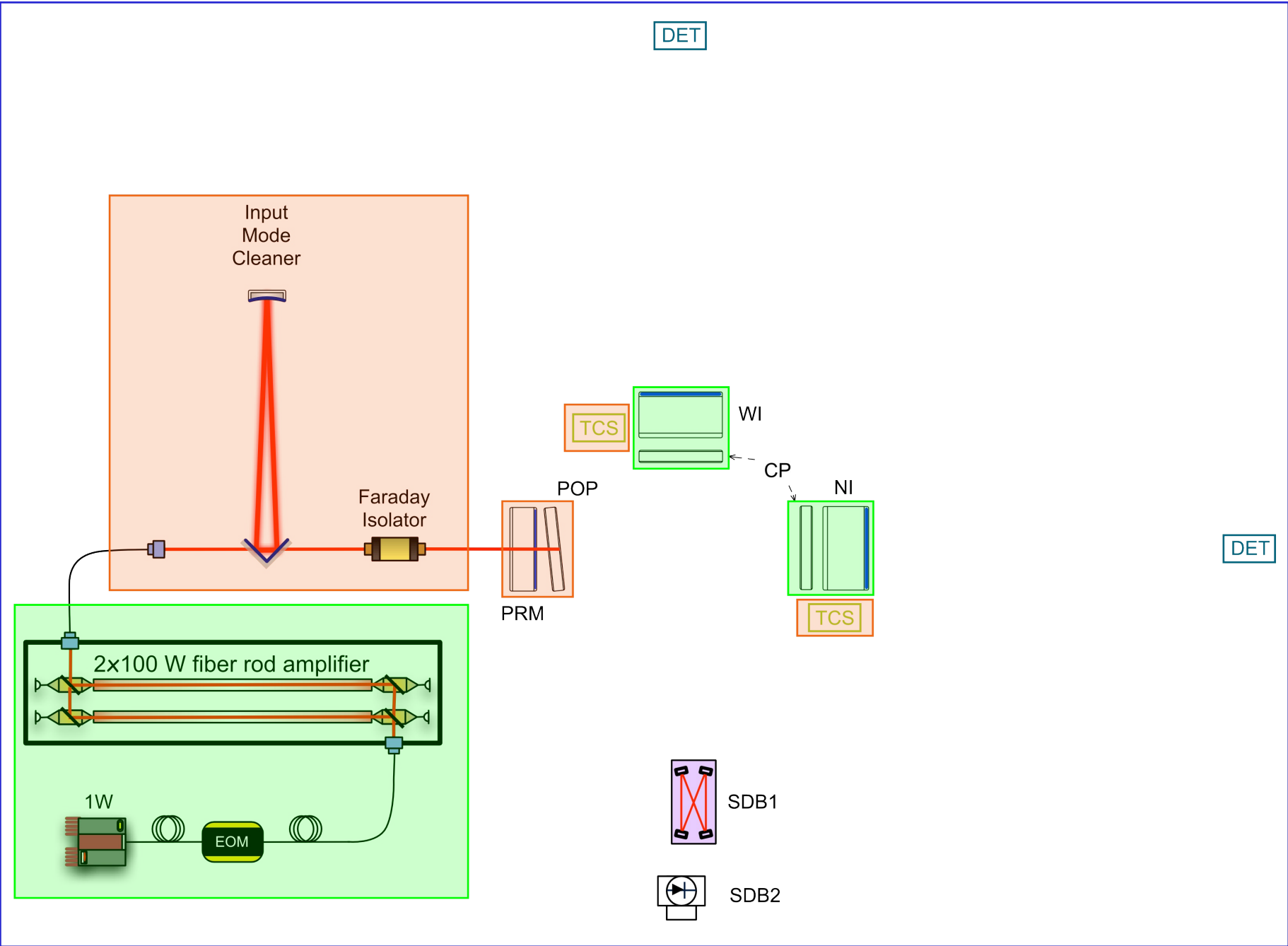
PRM installation

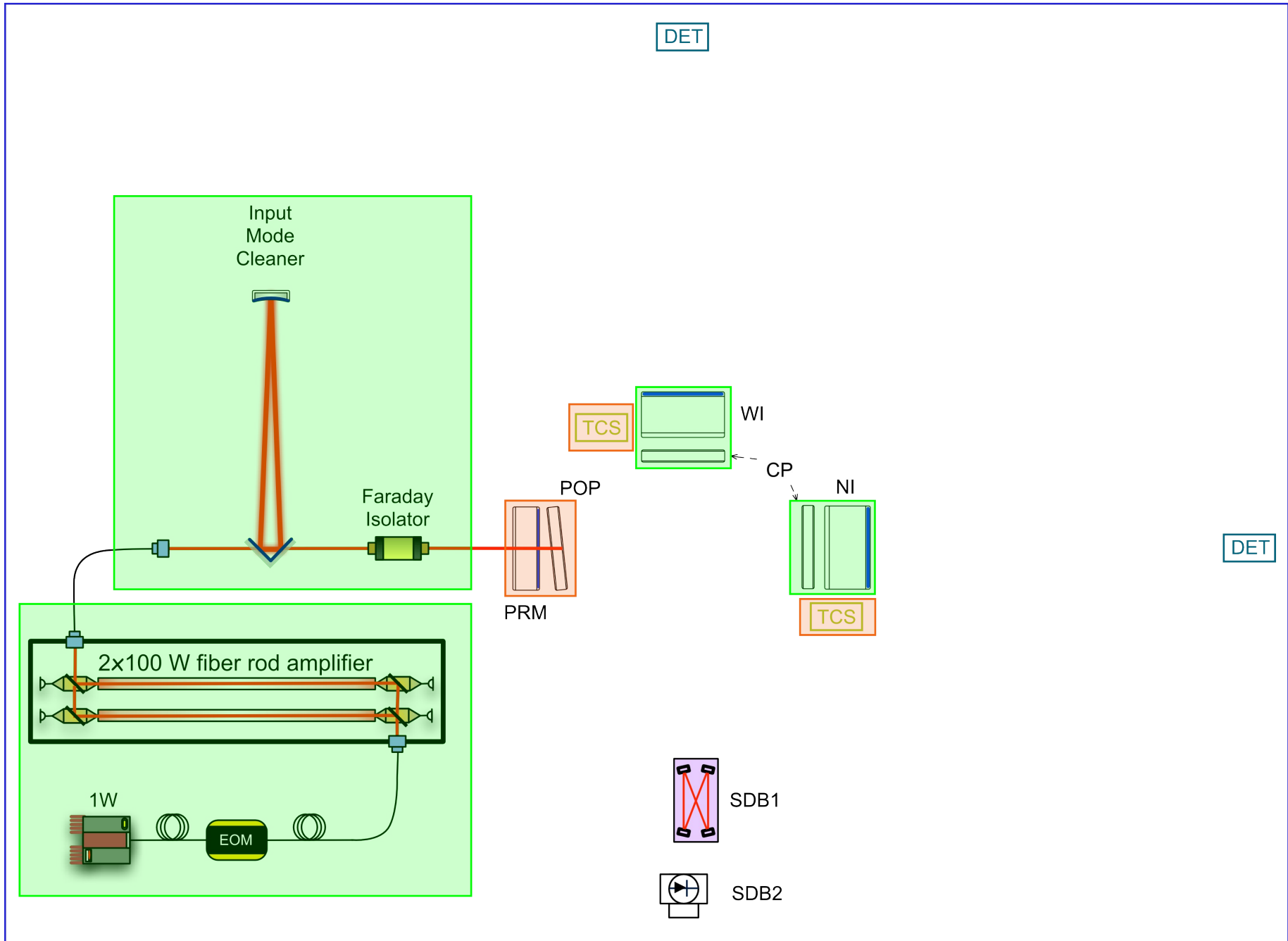


November 2014

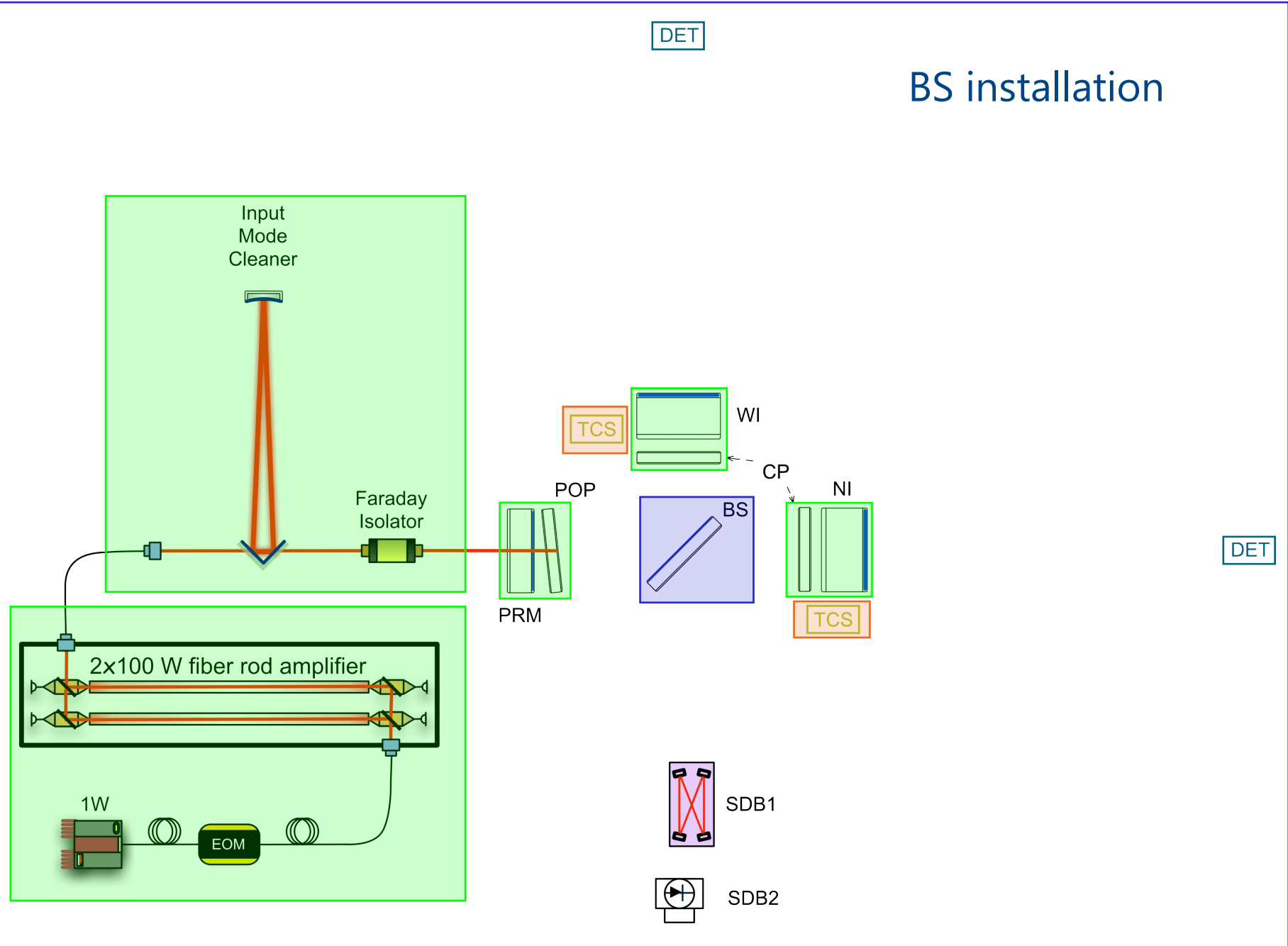


December 2014

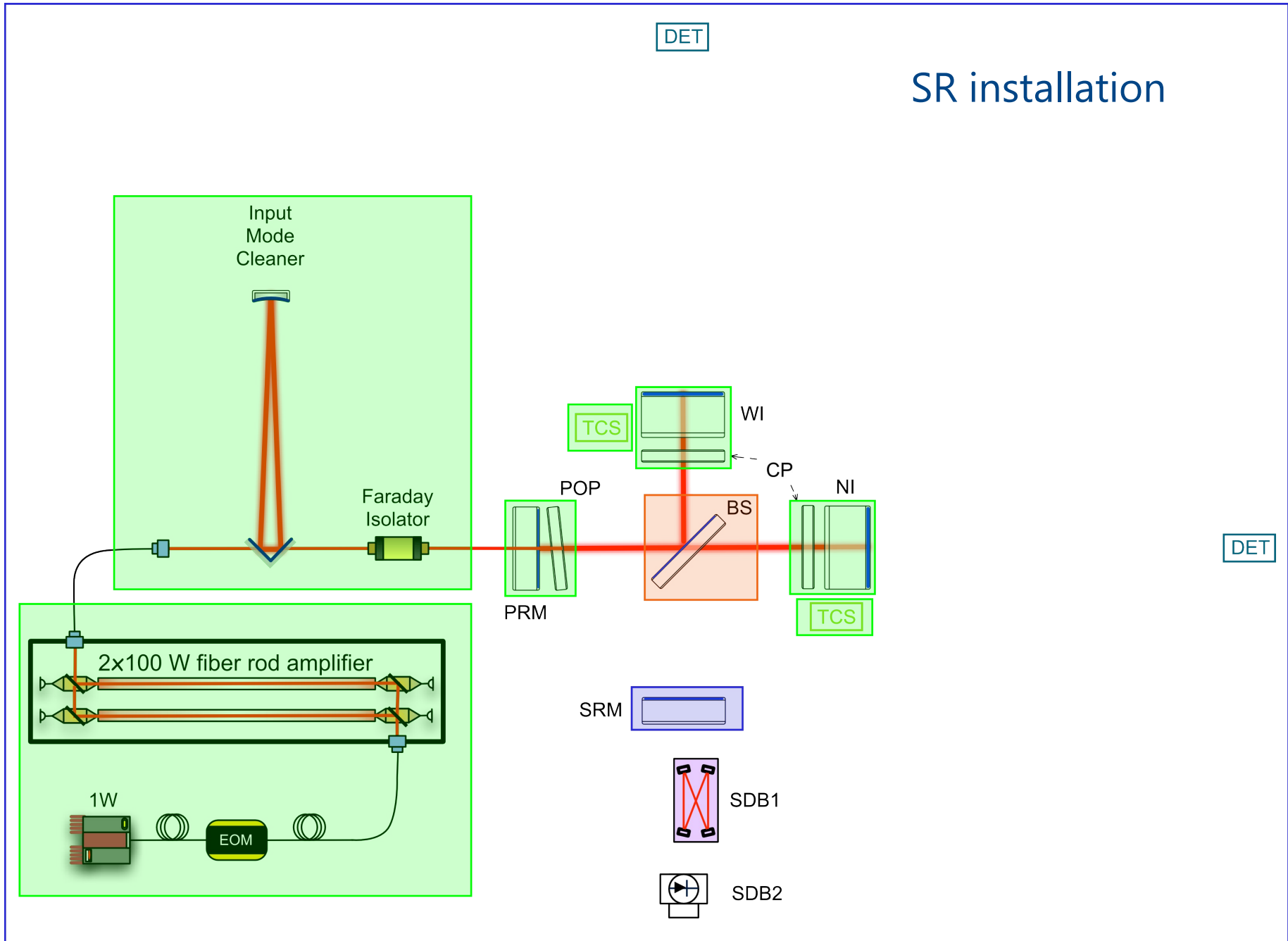


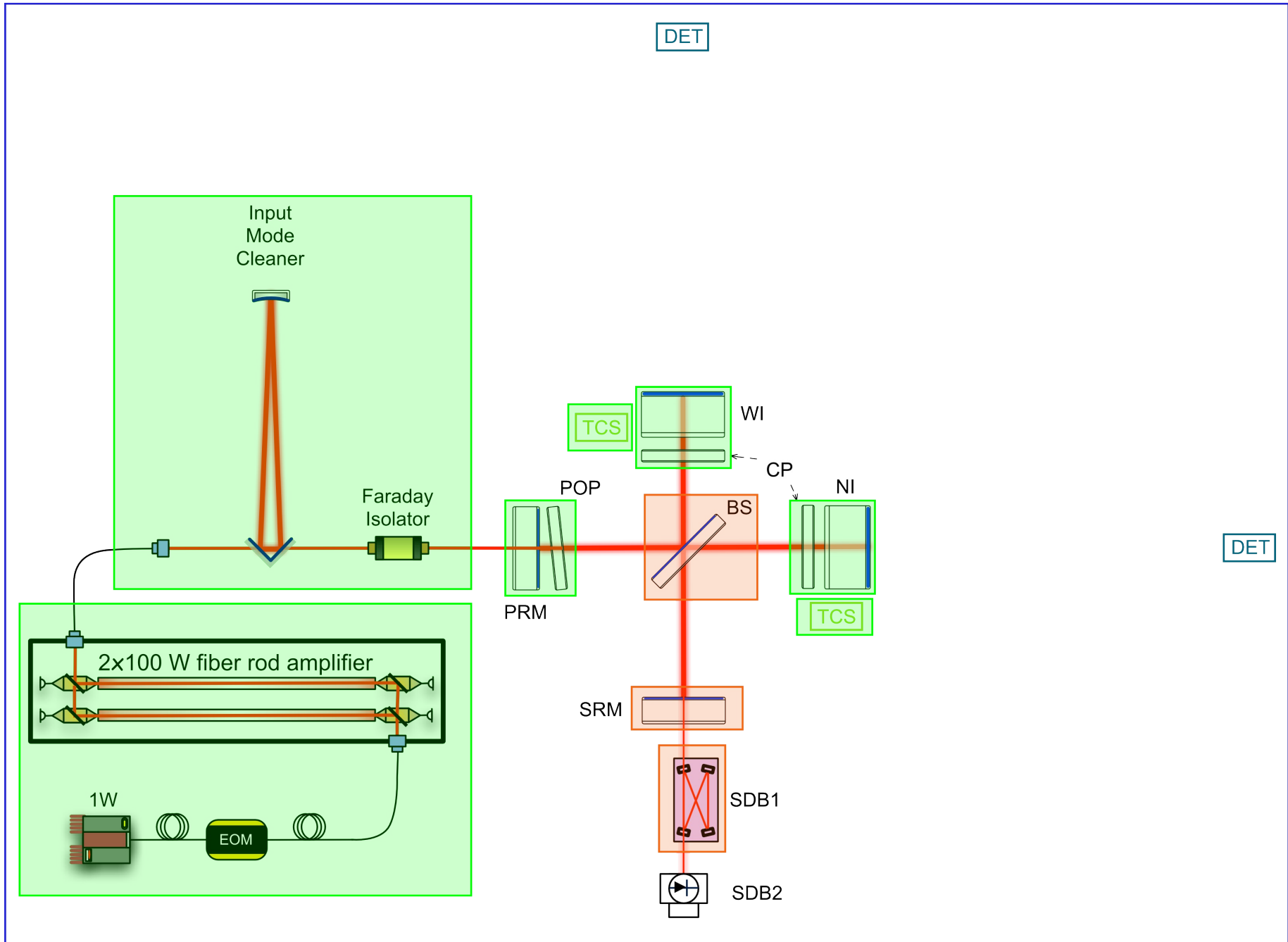


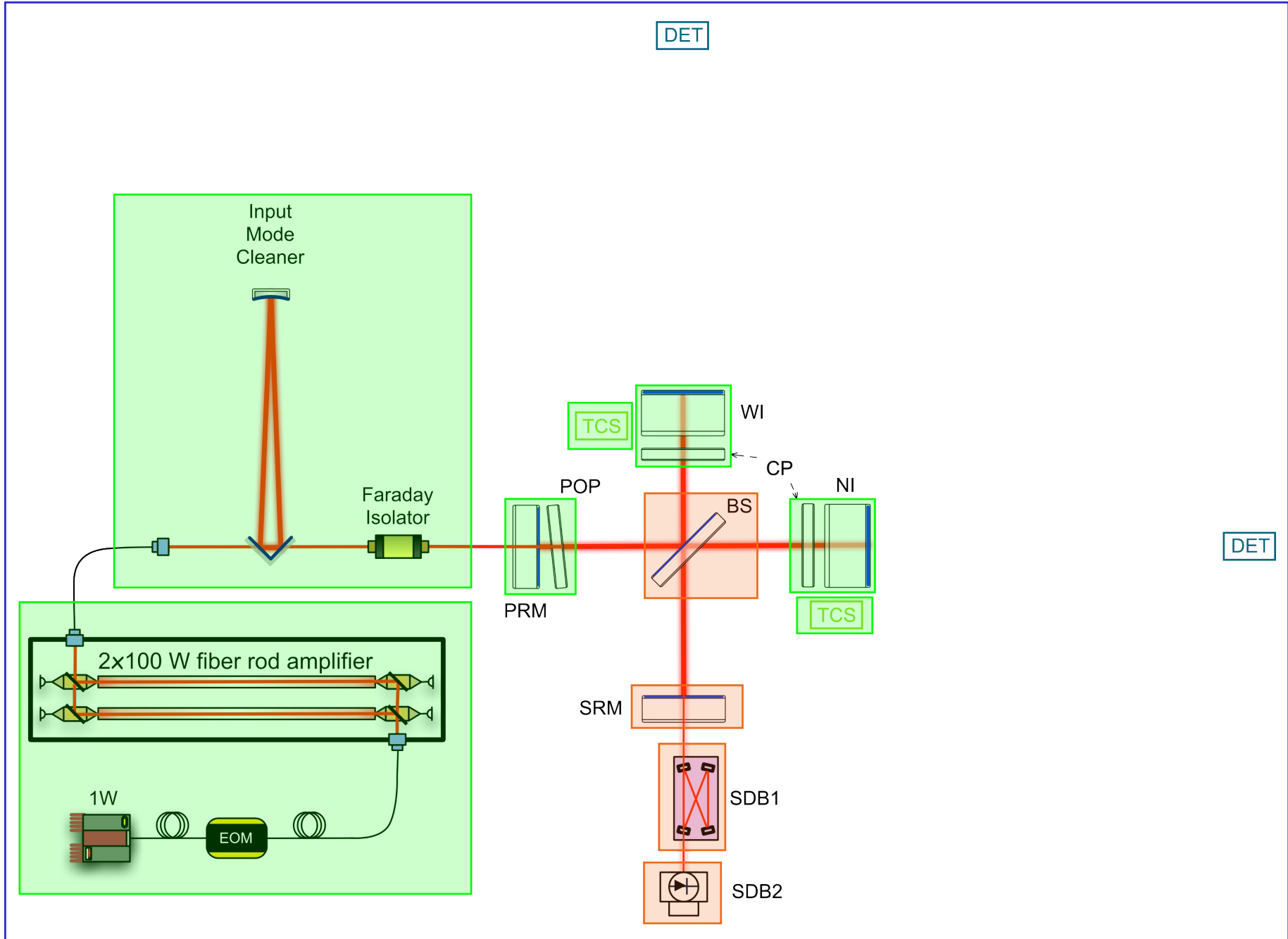
BS installation

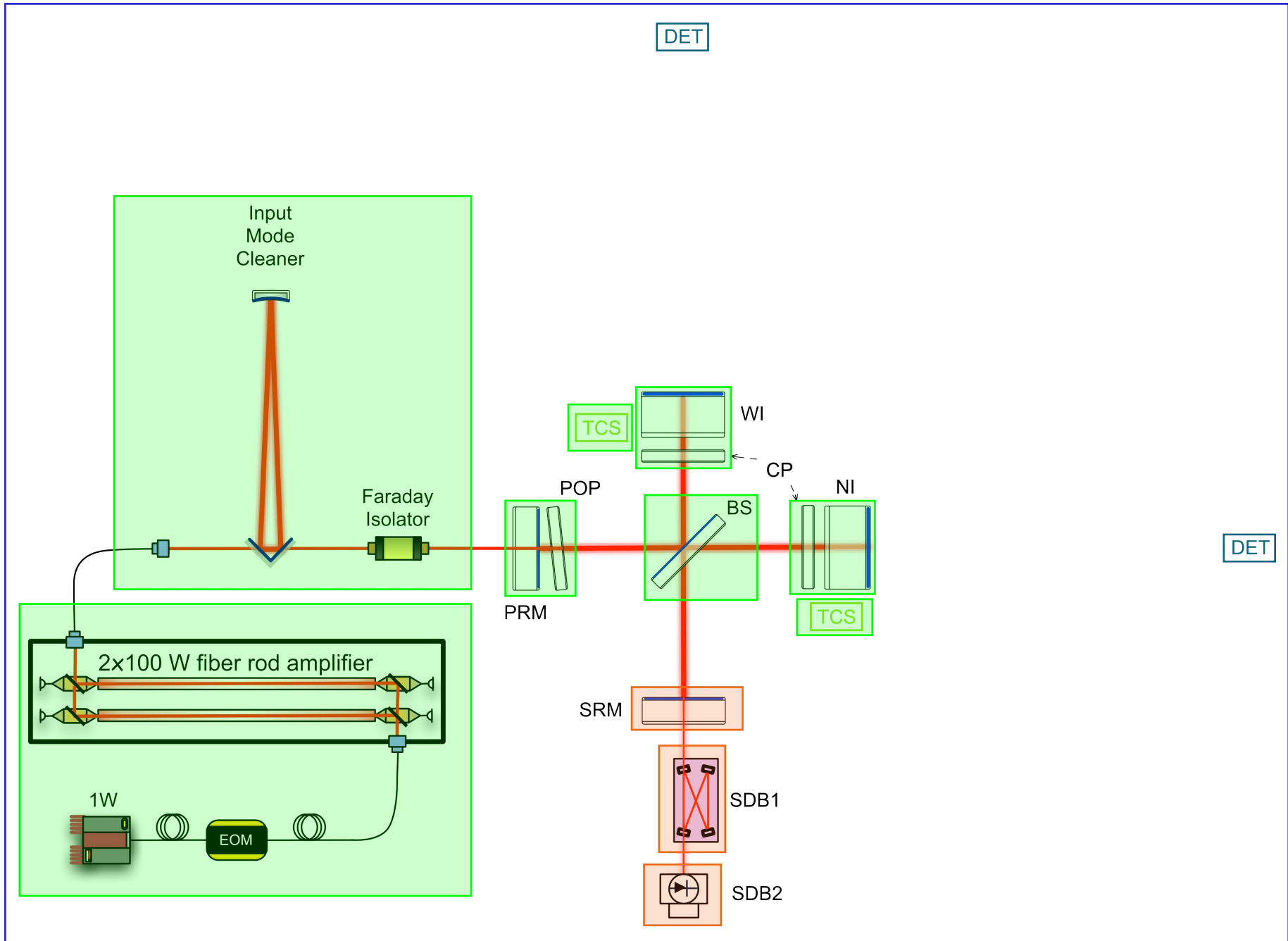


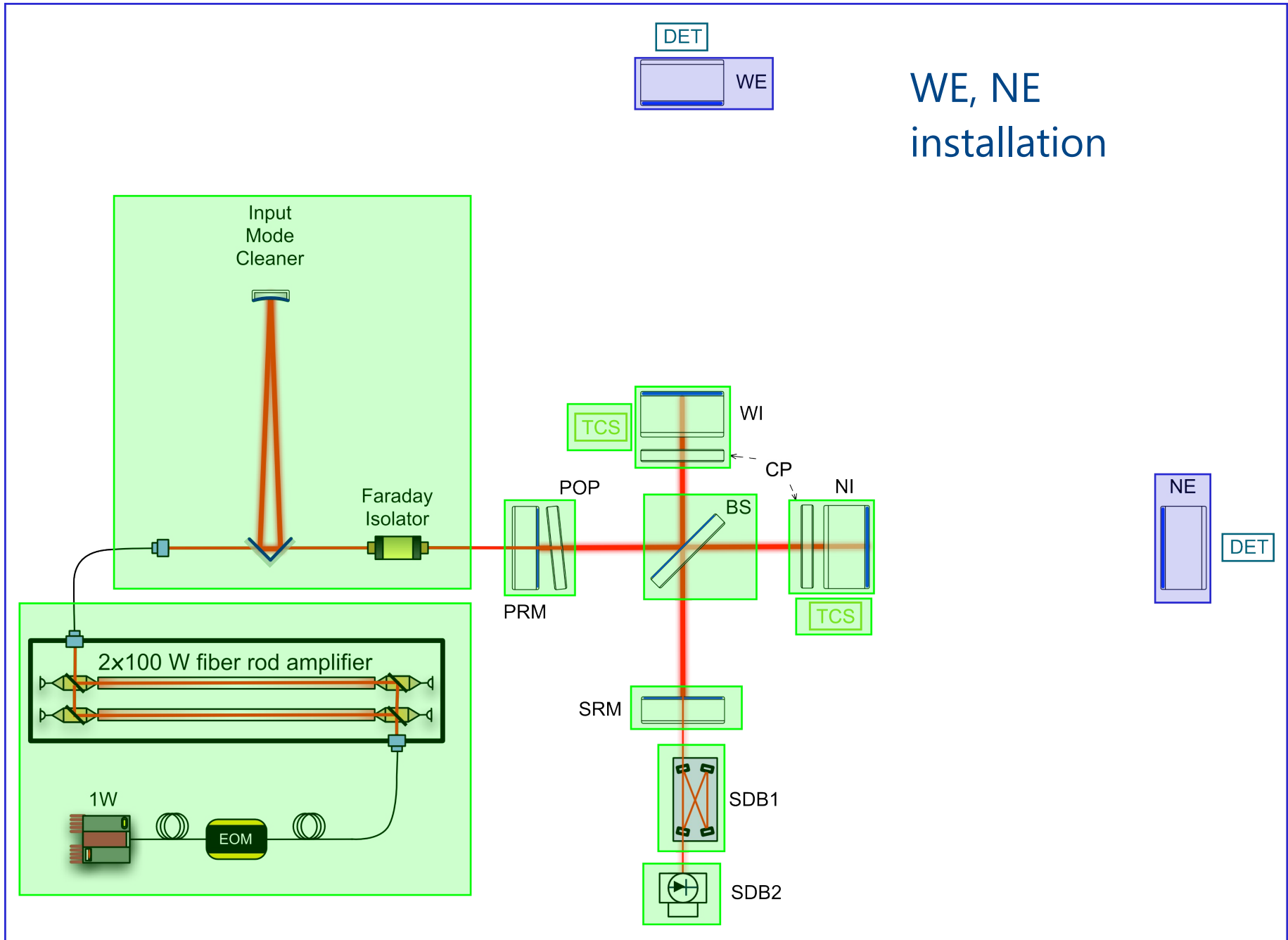
SR installation

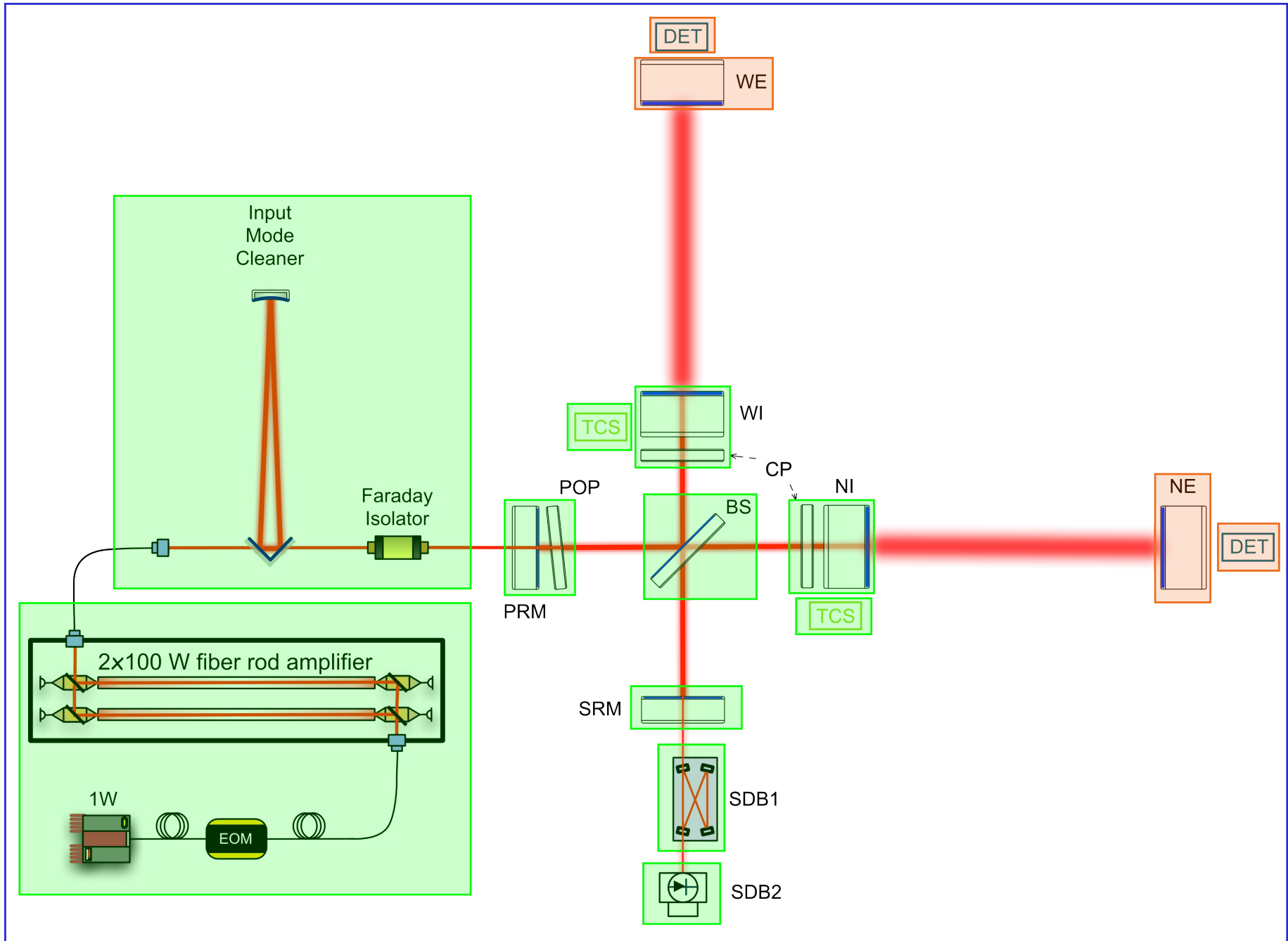




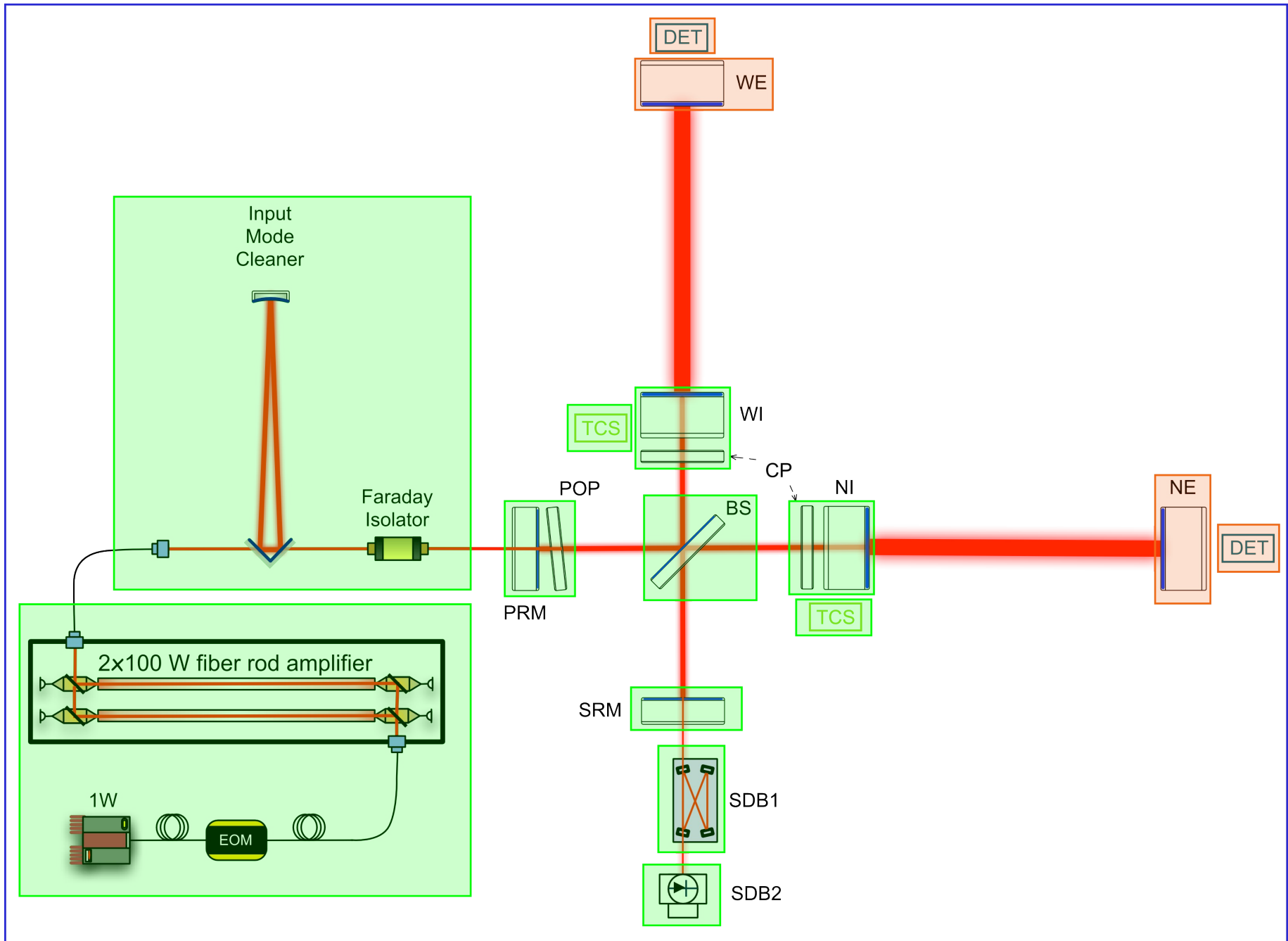


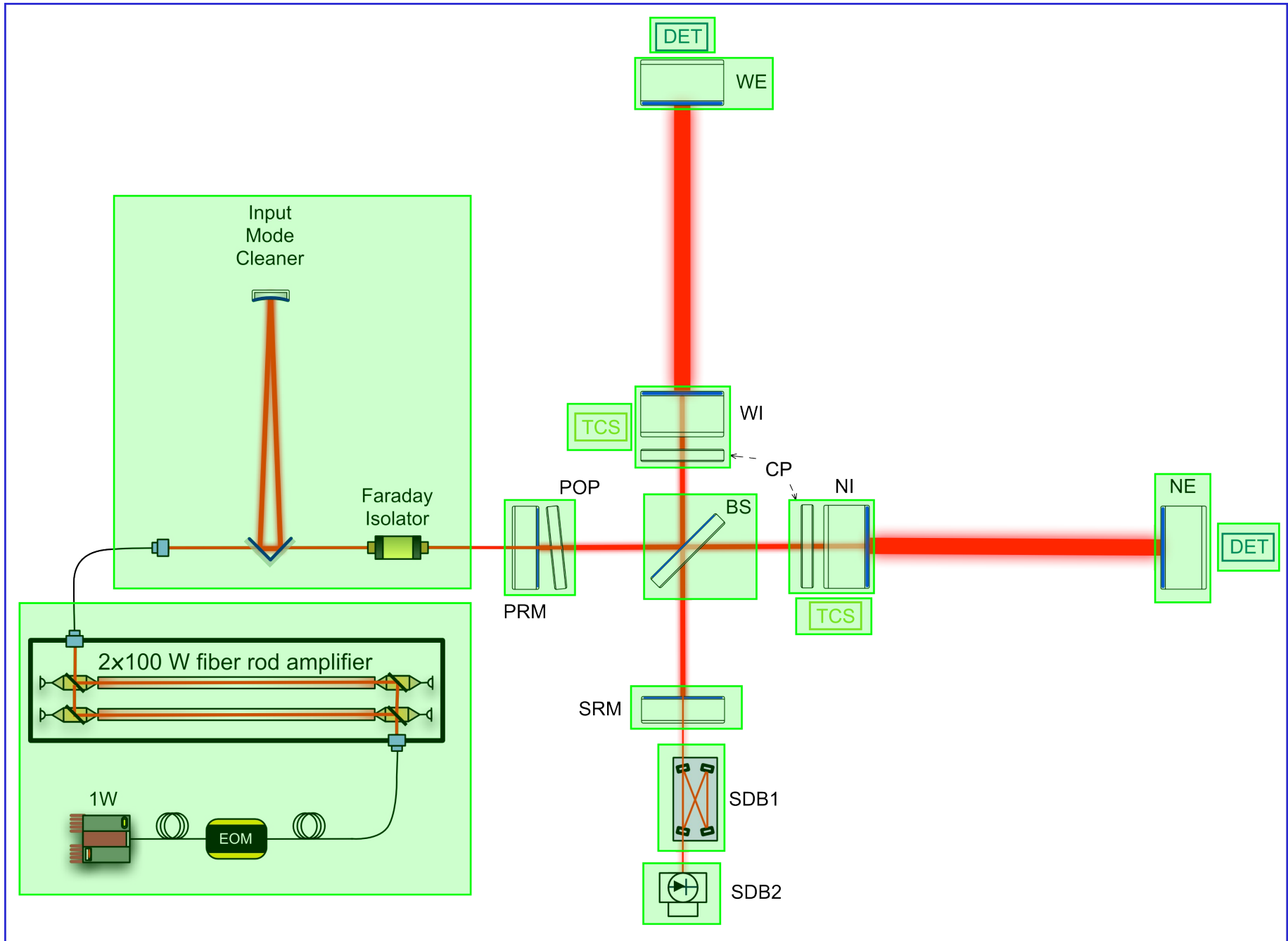






September 2015





Some thinking about that...



2 identical arms, so why not do one first as soon as possible and learn from it (PAY, ISC, TCS, DET).

Then:

- modify (if necessary) the second arm
- commissioning straight forward for the second arm

Possible thinking for the mirror order installations:

From the commissioning point of view, what is the maximum I can do with one mirror ? two mirrors ? ...

Summary

	2014						2015												
	7	8	9	10	11	12	1	2	3	4	5	6	7	8	9	10	11	12	
Laser	Green	Green	Green	Green	Green	Green	Green	Green	Green	Green	Green	Green	Green	Green	Green	Green	Green	Green	Green
IMC	Red	Red	Red	Red	Red	Red	Green	Green	Green	Green	Green	Green	Green	Green	Green	Green	Green	Green	Green
WI	Blue	Red	Red	Red	Green	Green	Green	Green	Green	Green	Green	Green	Green	Green	Green	Green	Green	Green	Green
west end bench	Blue	Blue												Red	Red	Green	Green	Green	Green
NI		Blue	Red	Red	Red	Green	Green	Green	Green	Green	Green	Green	Green	Green	Green	Green	Green	Green	Green
north end bench			Blue	Blue										Red	Red	Green	Green	Green	Green
PR				Blue	Red	Red	Red	Green	Green	Green	Green	Green	Green	Green	Green	Green	Green	Green	Green
TCS NI						Red	Red	Red	Green	Green	Green	Green	Green	Green	Green	Green	Green	Green	Green
TCS WI						Red	Red	Red	Green	Green	Green	Green	Green	Green	Green	Green	Green	Green	Green
BS								Blue	Red	Red	Red	Green	Green	Green	Green	Green	Green	Green	Green
SR									Blue	Red	Red	Red	Green	Green	Green	Green	Green	Green	Green
SDB1										Red	Red	Red	Green	Green	Green	Green	Green	Green	Green
SDB2	Blue	Blue									Red	Red	Green	Green	Green	Green	Green	Green	Green
WE													Blue	Red	Red	Green	Green	Green	Green
NE													Blue	Red	Red	Green	Green	Green	Green