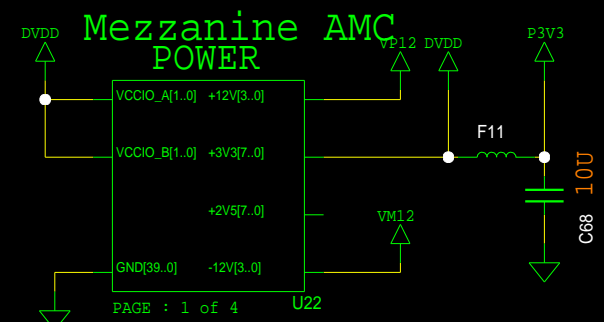
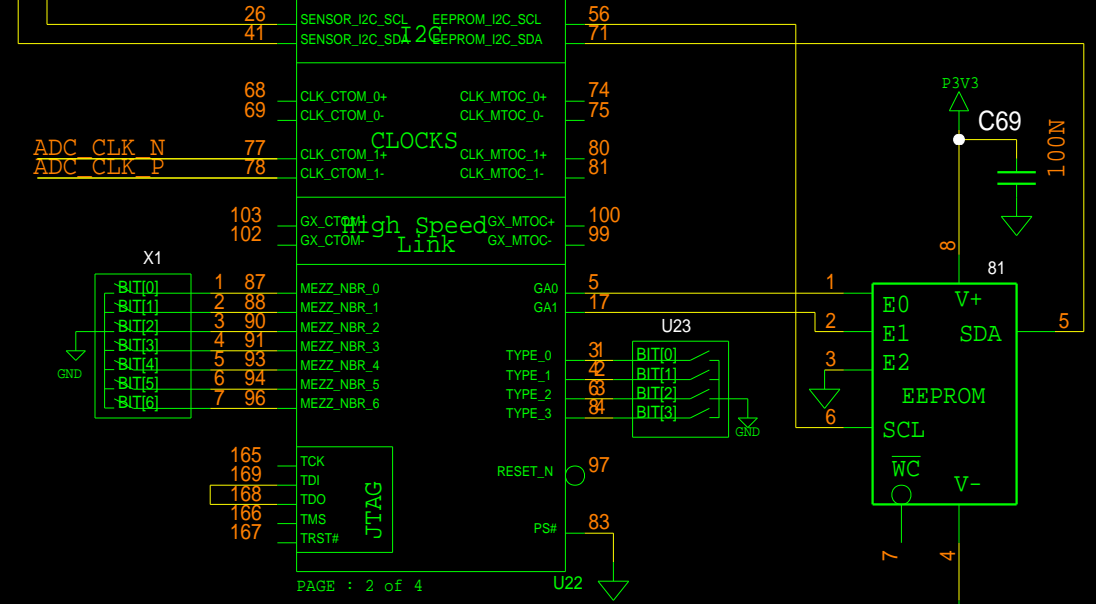
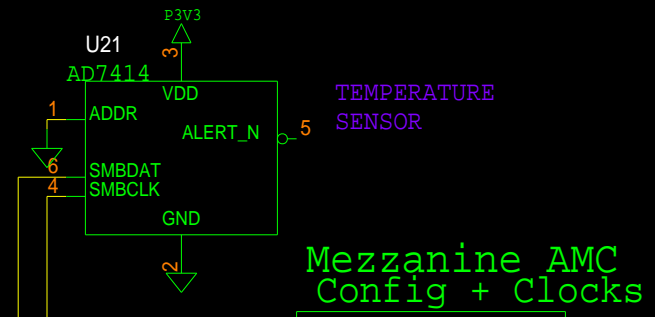
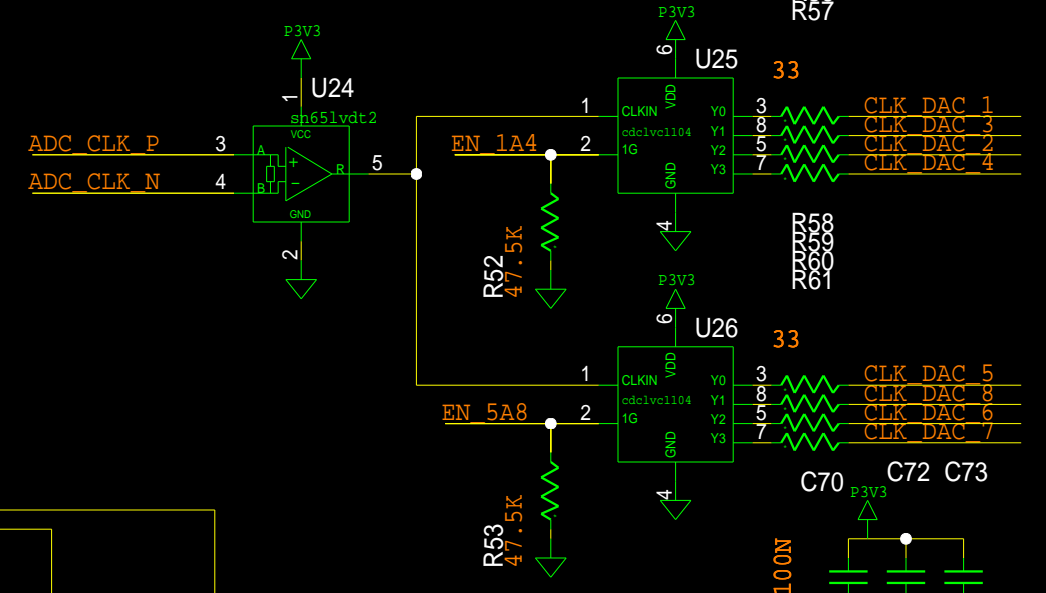
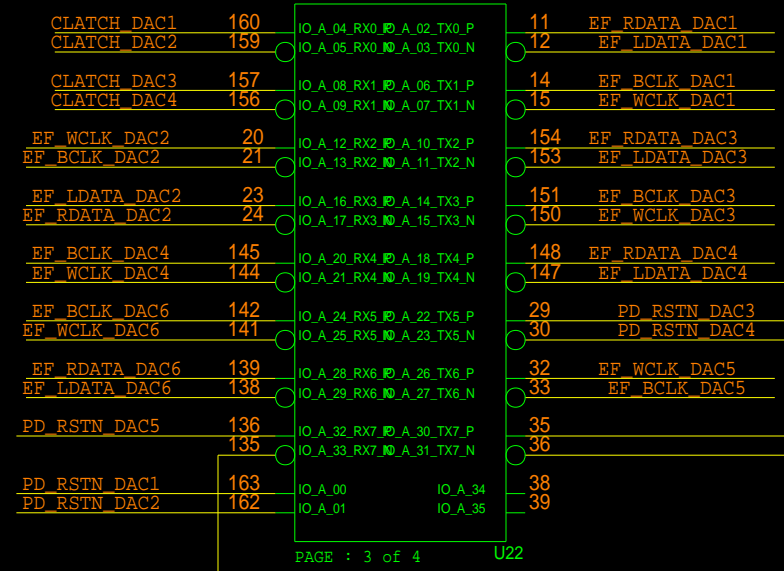


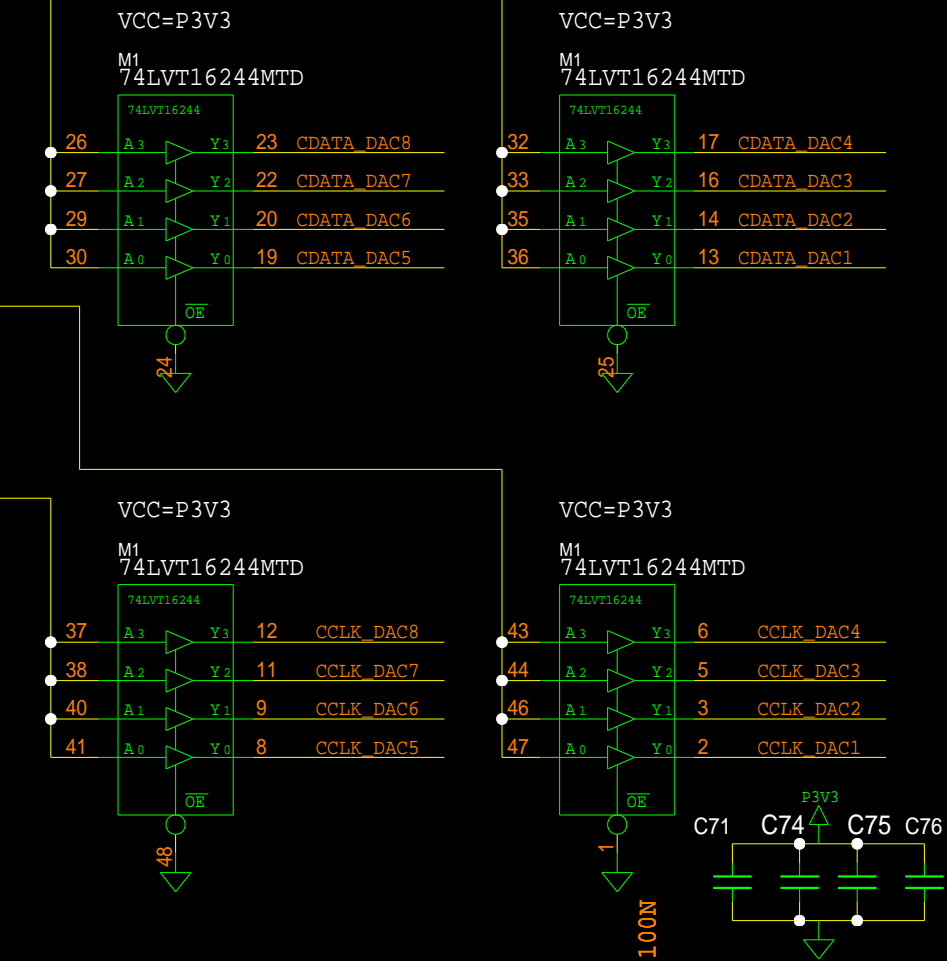
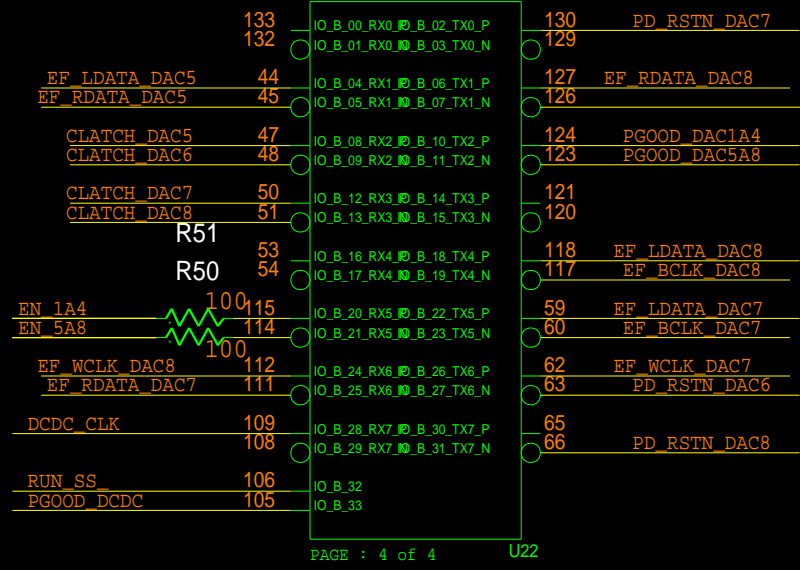
TITLE:	DAC BOARD	DATE:	18/7/2012
	POWER SUPPLIES & VOLTAGE REFS		
ENGINEER:		PAGE:	1/10



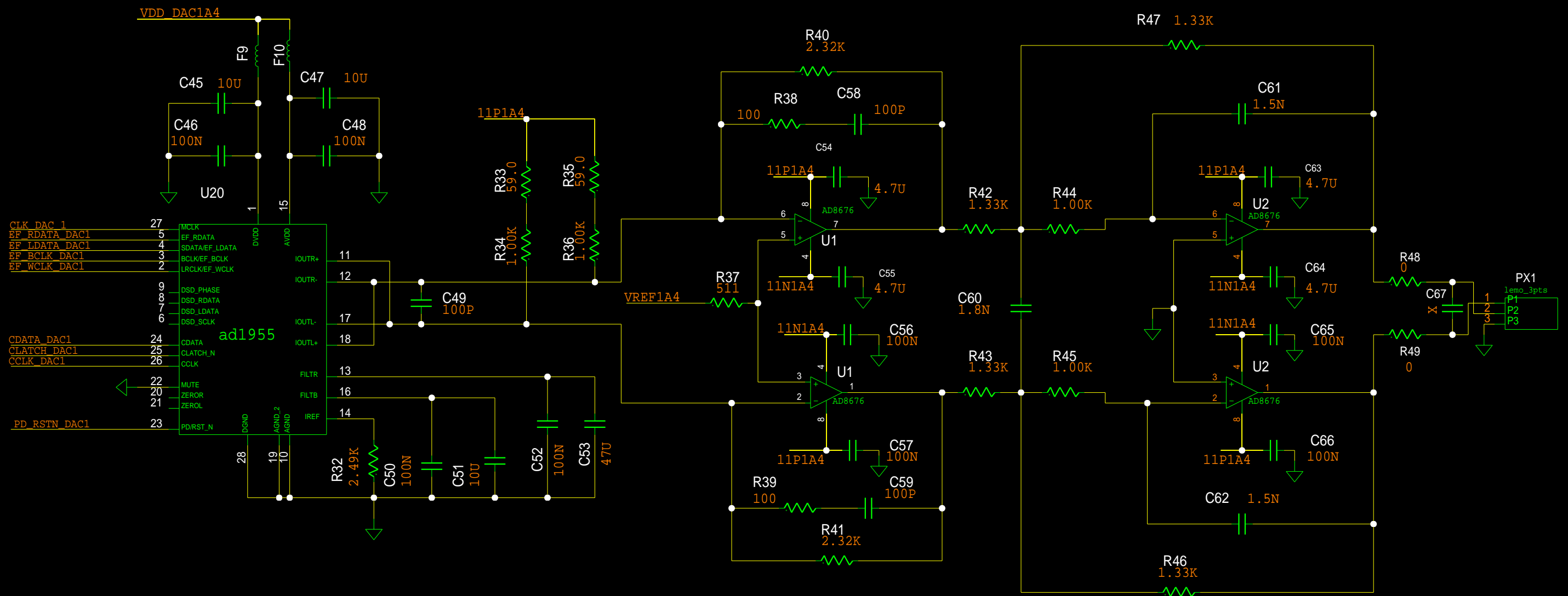
Mezzanine AMC BANK A



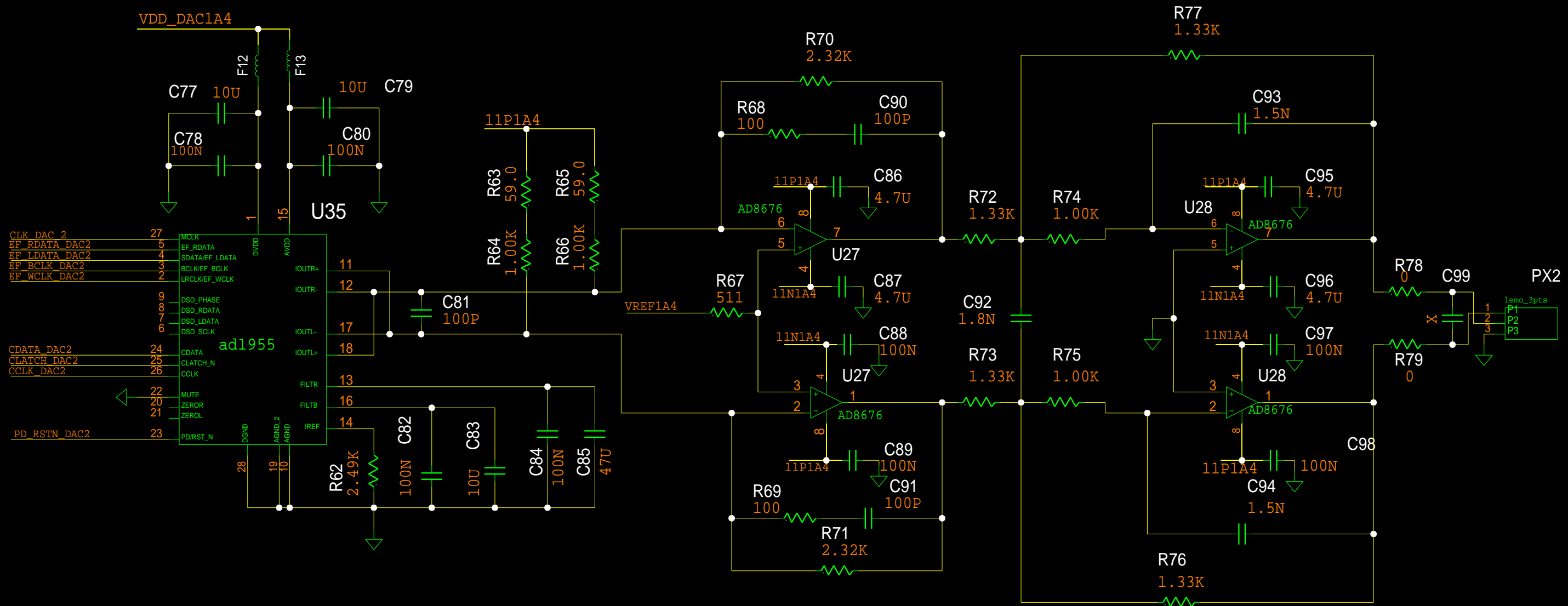
Mezzanine AMC BANK B



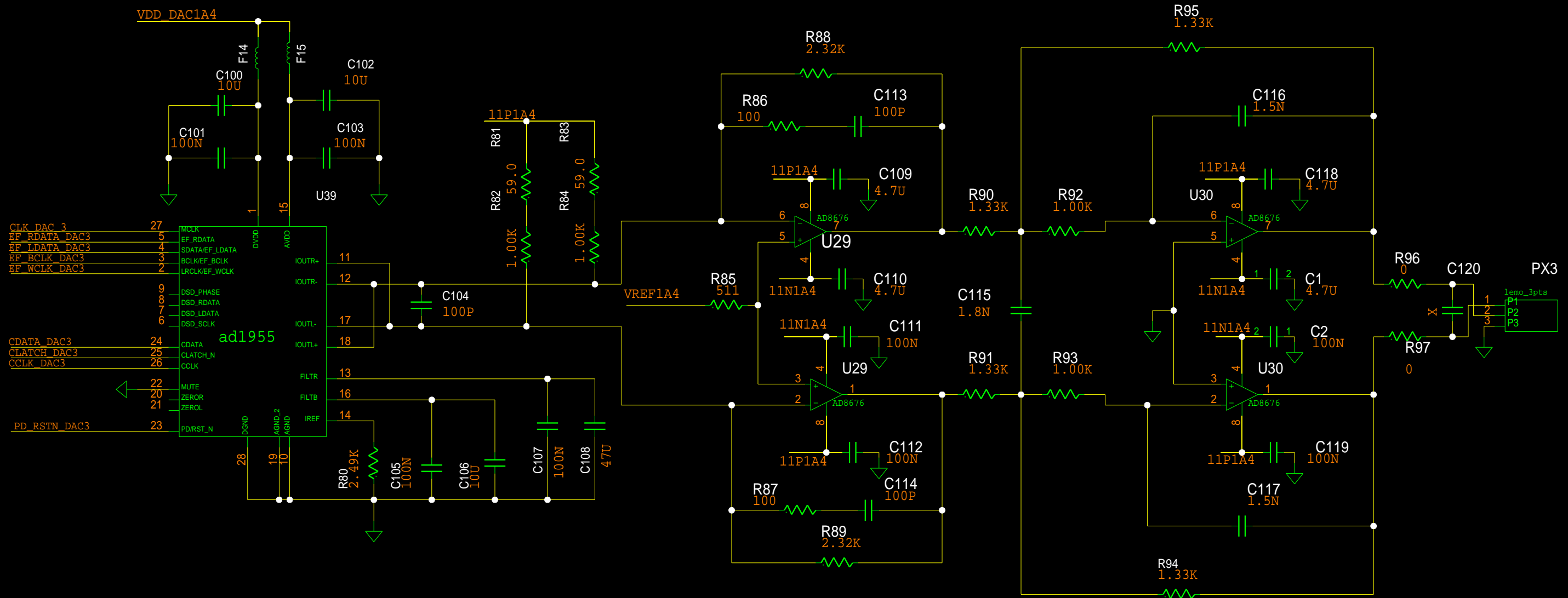
TITLE:	DAC BOARD	DATE:	18/7/2012
ENGINEER:	MAIN CONNECTOR - BUFFERS	PAGE:	2/10



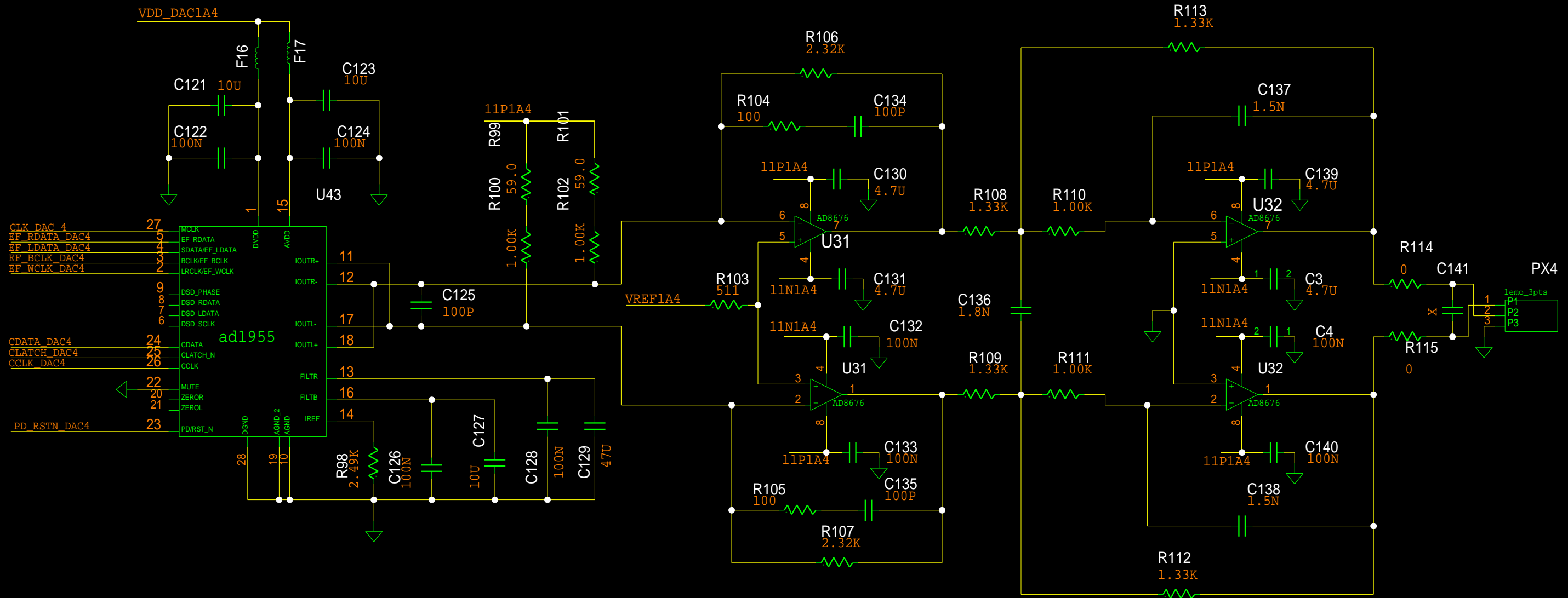
TITLE: DAC + I/V + FILTER --> CHANNEL 1	DATE: 18/7/2012
ENGINEER:	PAGE: 3/10



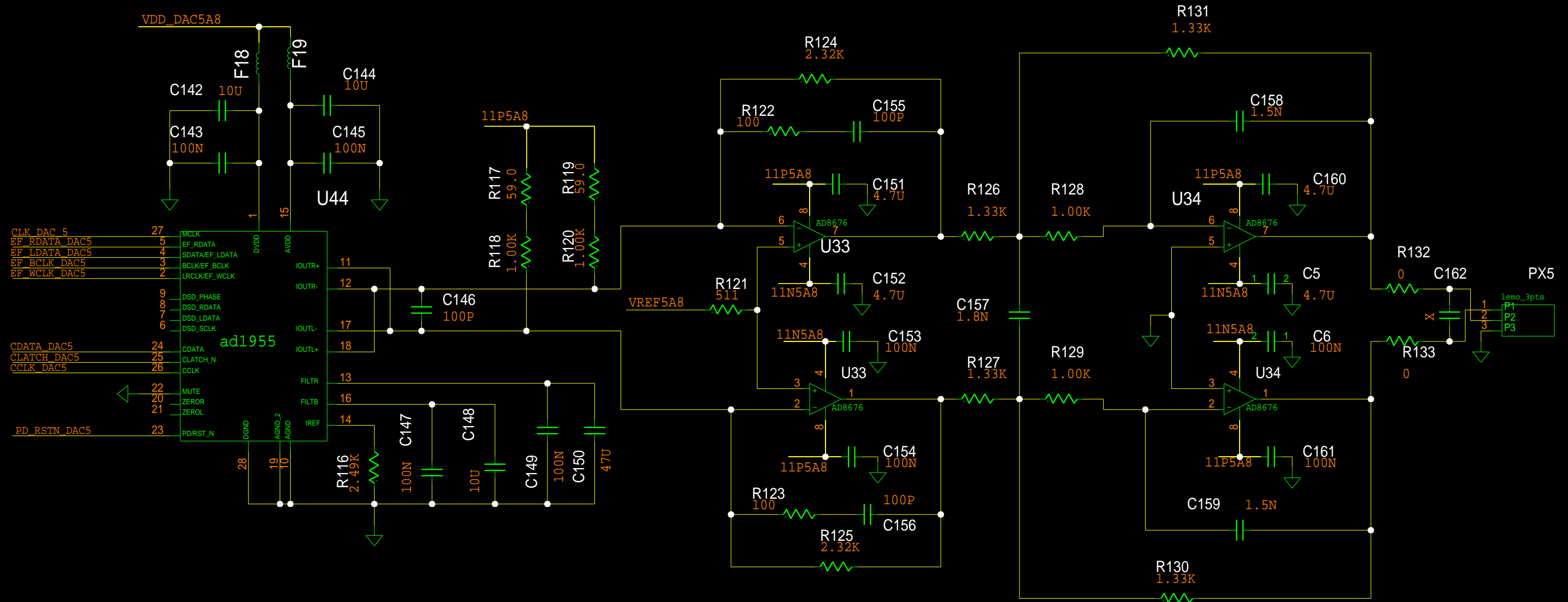
TITLE: DAC + I/V + FILTER --> CHANNEL 2	DATE: 18/7/2012
ENGINEER:	PAGE: 4/10



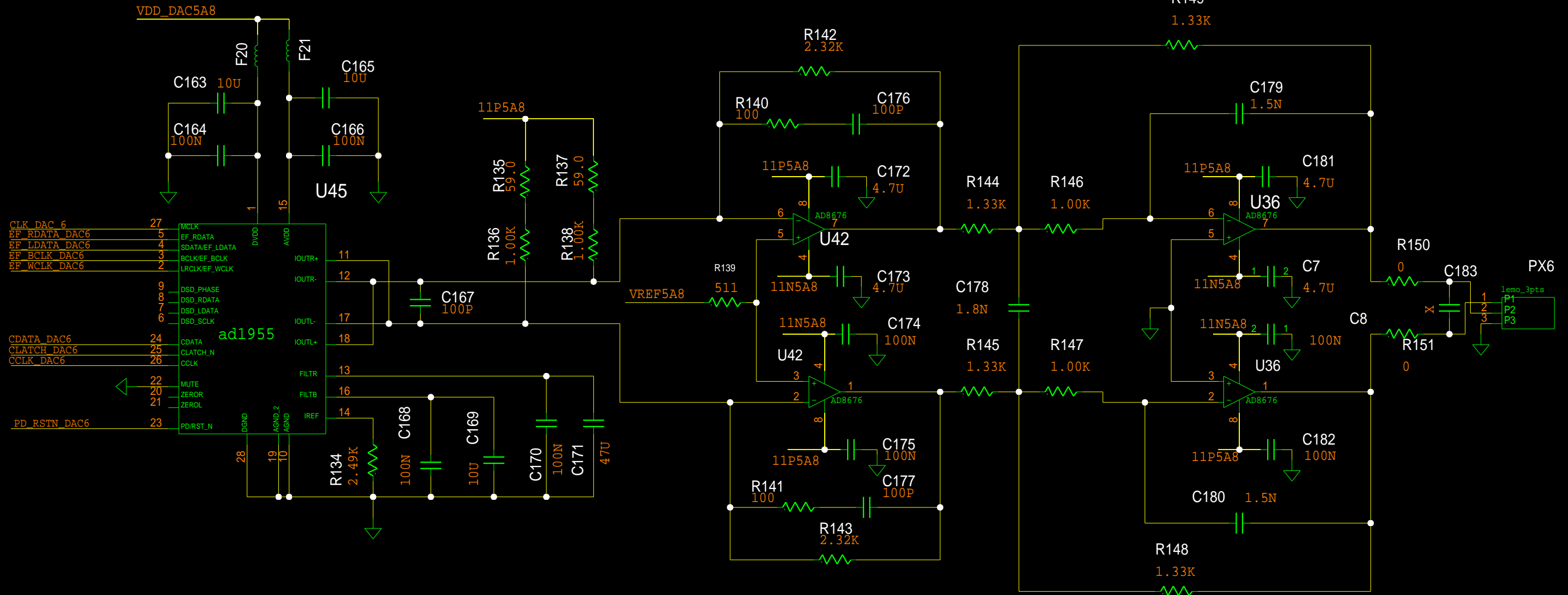
TITLE: DAC + I/V + FILTER --> CHANNEL 3	DATE: 18/7/2012
ENGINEER:	PAGE: 5/10



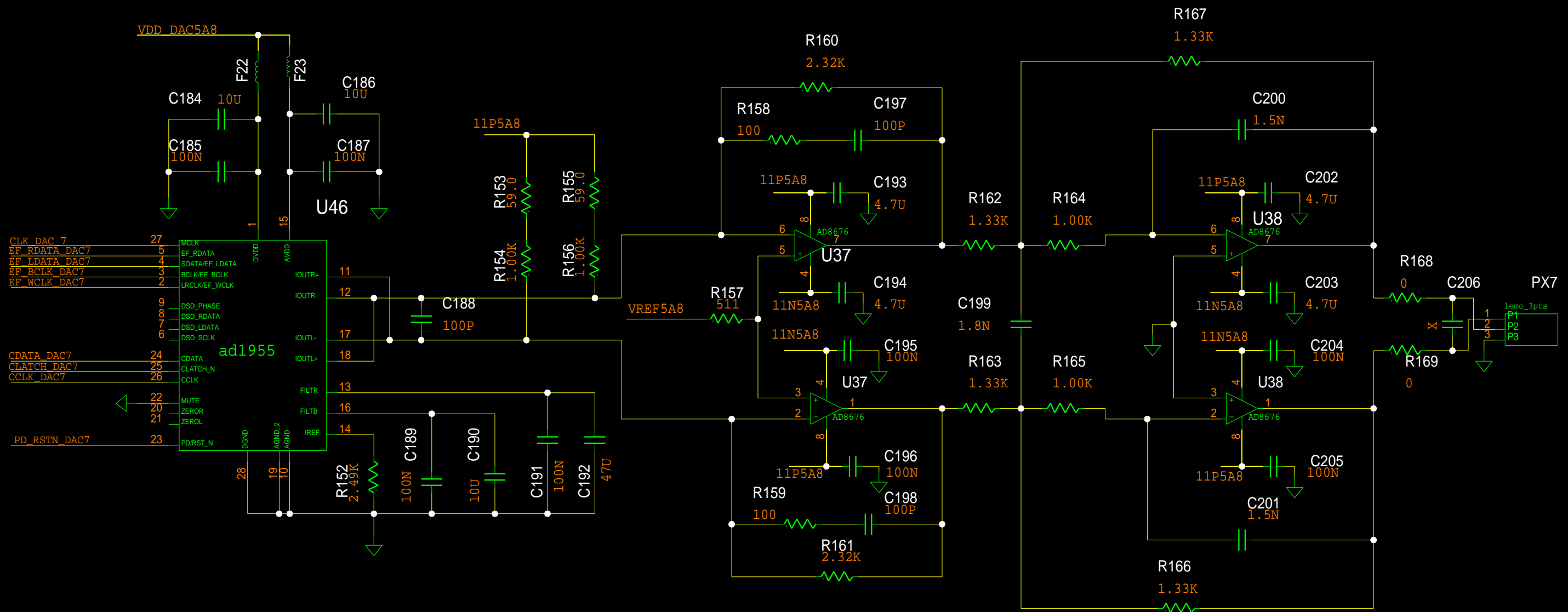
TITLE: DAC + I/V + FILTER --> CHANNEL 4	DATE: 18/7/2012
ENGINEER:	PAGE: 6/10



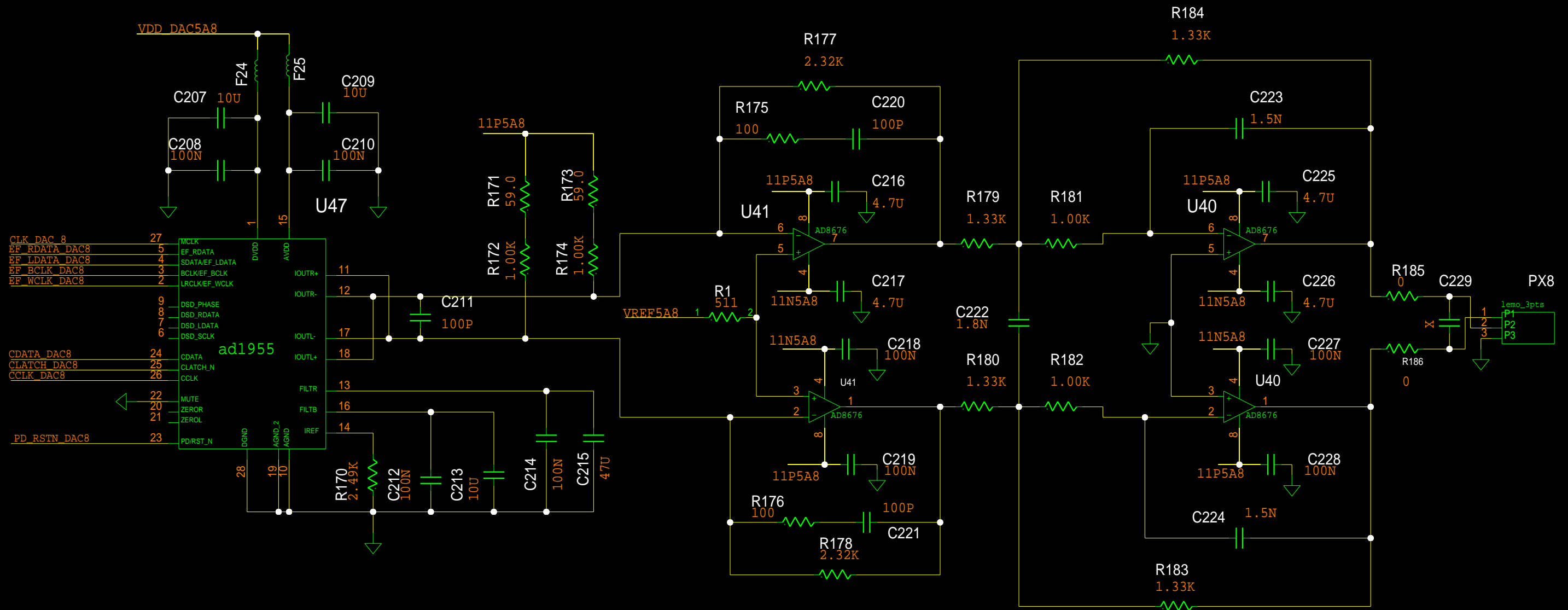
TITLE: DAC + I/V + FILTER --> CHANNEL 5	DATE: 18/7/2012
ENGINEER:	PAGE: 7/10



TITLE: DAC + I/V + FILTER --> CHANNEL 6	DATE: 18/7/2012
ENGINEER:	PAGE: 8/10



TITLE: DAC + I/V + FILTER --> CHANNEL 7	DATE: 18/7/2012
ENGINEER:	PAGE: 9/10



TITLE: DAC + I/V + FILTER --> CHANNEL 8	DATE: 18/7/2012
ENGINEER:	PAGE: 10/10